

PRODUCT GUIDE

2025 | MARINE



Gearbox Characteristics	4	LAF 4545 – 5675	108
Important Notes	18	LAF 6745 – 7760	110
Marine Duty Profiles	19	WLS 234/1 – 334	112
REINTJES Abbreviations	20	WLS 334 – 430/1	114
Marine Propulsion Packages	22	WLS 730/1L – 730/1	116
Condition Monitoring System	26	WLS 930/1L – 930/1	118
Control System (RCS)	27	WLS 1540 – 1930	120
Gearbox Automation	28	VLJ 430	120
REINTJES Gearboxes	30 – 147	VLJ 730/1 – 930/1	122
Gearboxes	30	VLJ 1930 - 2230	124
WF 350 – 580	32	VLJ 4431 – 7541	126
WAF 164L – 244L	34	VA 2451 – 3541	128
WAF 244	36	VA 4851 – 4941	130
WAF 264L - 264	38	SVA 630B – 900A	132
WAF 274L – 274	42	SVA 900A - 1050B	134
WAF 344L – 344	44	SVA 1050-6B – 1200-6A	136
WAF 364L – 364	46	SVAL 850-88 – 1060-66	138
WAF 374L – 374	48	SVAL 1120-99 – 1250-11	140
WAF 444L – 444	50	ZSVAL 625-22 – 1250-110	142
WAF 464L – 464	52	DLG/DUG 1113 – 110131	144
WAF 474L – 474	54	RDG/RDGL	146
WAF 543L – 563	56	Main Dimensions	148 – 205
WAF 573L – 763	58	WF/WAF/WVS/WVSA/WLS/LAF/EF/LF	148 – 173
WAF 773L – 873	60	RDG/RDGL/DLG/DUG	172 – 177
WAF 1143 – 1963	62	SVA	178
WAF 2346 – 3475	64	VA	180 – 183
WAF 4545 – 5675	66	VLJ	182 – 185
WAF 6745 – 7760	68	Hybrid System WAF	186 – 197
WGF 563 – 863	70	Hybrid System WVS	198 – 201
WGF 1563 – 4566	72	Hybrid ready gearboxes	202
WVS 234/1 – 334	74	Frequency Converter	204
WVS 430/1	76	Options	206
WVS 730/1 – 732	78	Special Applications	208
WVS 930/1L – 930/1	80	PTO	210
WVS 1540 – 1930	82	Auxiliary drives	214
WVS 2230 – 2240	84		
WVSA 442	86		
EF 350 - 580	88		
AF 264 – 863	90		
AF 873 – 1563	92		
AF 2365 – 2375	94		
LF 350 - 580	96		
LAF 543L – 573	98		
LAF 665L – 843L	100		
LAF 843L – 873	102		
LAF 1143 – 1963	104		
LAF 2346 – 3475	106		

This document and the technical data contained herein are subject to technical modifications and are non-binding. The data serve informational purposes and cannot be guaranteed in any way. In addition, our gearboxes will be assessed and determined individually for each project. This is necessary due to differing characteristics of each project like specific site and operational conditions. If this document is delivered in another language than English and in case of divergences of interpretation between the different language texts, the English text shall prevail.

Gearbox standard design dry. Following lists only show an extract of gearboxes available. Additional sizes, offset configurations and variations are available on request.

Dimensions and dry weights are approximate and may vary with housing or by input and ratio. Specifications are subject to change without notice. Please contact your REINTJES distributor for current information and binding data.



Gearbox Characteristics

WF

Gearbox type:	Small reverse reduction gearbox
Main application:	Workboats
Driven component:	Fixed Pitch Propeller
Shaft rotation:	Co- or Counter-rotating shafts
Reduction ratios:	Standard and custom (on request)
Shaft arrangement:	Parallel input and output shafts on opposite sides, vertically offset (standard)
Clutch(es):	Hydraulically operated clutch(es)
Bearing type:	Roller bearings (standard) or Slide bearings (large sizes, on request)
Gearbox housing:	Steel / Cast iron design
Mounting:	Free-standing / close-coupled with SAE housings (small sizes)
Propulsion system:	Diesel-mechanic, hybrid ready (optional)

WAF

Gearbox type:	Reverse reduction gearbox
Main application:	Workboats
Driven component:	Fixed Pitch Propeller
Shaft rotation:	Co- or Counter-rotating shafts
Reduction ratios:	Standard and custom (on request)
Shaft arrangement:	Parallel input and output shafts on opposite sides, vertically offset (standard)
Clutch(es):	Hydraulically operated clutch(es)
Bearing type:	Roller bearings (standard) or Slide bearings (large sizes, on request)
Gearbox housing:	Steel / Cast iron design
Mounting:	Free-standing / close-coupled with SAE housings (small sizes)
Propulsion system:	Diesel-mechanic, hybrid ready (optional)

WGF

Gearbox type:	Reverse reduction gearbox with attached gear step
Main application:	Workboats
Driven component:	Fixed Pitch Propeller
Shaft rotation:	Co- or Counter-rotating shafts
Reduction ratios:	Standard and custom (on request)
Shaft arrangement:	Parallel input and output shafts on opposite sides, vertically offset (standard)
Clutch(es):	Hydraulically operated clutch(es)
Bearing type:	Roller bearings
Gearbox housing:	Steel / Cast iron design
Mounting:	Free-standing
Propulsion system:	Diesel-mechanic, hybrid ready (optional)

WGV

Gearbox type:	Reverse reduction gearbox
Main application:	Workboats
Driven component:	Fixed Pitch Propeller
Shaft rotation:	Co- or Counter-rotating shafts
Reduction ratios:	Standard and custom (on request)
Shaft arrangement:	Co-axial, intermediate shafts offset
Clutch(es):	Hydraulically operated clutch(es)
Bearing type:	Roller bearings
Gearbox housing:	Steel / Cast iron design
Mounting:	Free-standing
Propulsion system:	Diesel-mechanic, hybrid ready (optional)



Gearbox Characteristics

WVS

Gearbox type:	Reverse reduction gearbox
Main application:	Fast vessels
Driven component:	Fixed Pitch Propeller or Waterjet
Shaft rotation:	Co- or Counter-rotating shafts
Reduction ratios:	Standard and custom (on request)
Shaft arrangement:	Parallel input and output shafts, U-drive or opposite sides, vertically offset (standard)
Clutch(es):	Hydraulically operated clutch(es)
Bearing type:	Roller bearings
Gearbox housing:	Aluminium alloy, weight optimized design
Mounting:	Free-standing / close-coupled / U-drive SAE housings (small sizes)
Propulsion system:	Diesel-mechanic, hybrid ready (optional)

WVSA

Gearbox type:	Reverse reduction gearbox
Main application:	Fast vessels
Driven component:	Fixed Pitch Propeller
Shaft rotation:	Co- or Counter-rotating shafts
Reduction ratios:	Custom (on request)
Shaft arrangement:	Down angle, shafts on opposite sides, vertically offset
Clutch(es):	Hydraulically operated clutch(es)
Bearing type:	Roller bearings
Gearbox housing:	Aluminium alloy, weight optimized design
Mounting:	Free-standing
Propulsion system:	Diesel-mechanic, hybrid ready (optional)

WVSFA

Gearbox type:	Reverse reduction gearbox
Main application:	Fast vessels
Driven component:	Fixed Pitch Propeller
Shaft rotation:	Co- or Counter-rotating shafts
Reduction ratios:	Custom (on request)
Shaft arrangement:	Down angle, V-drive, vertically offset
Clutch(es):	Hydraulically operated clutch(es)
Bearing type:	Roller bearings
Gearbox housing:	Aluminium alloy, weight optimized design
Mounting:	Free-standing
Propulsion system:	Diesel-mechanic, hybrid ready (optional)

ZWAF

Gearbox type:	Two-speed reverse reduction gearbox
Main application:	Workboats
Driven component:	Fixed Pitch Propeller
Shaft rotation:	Ahead: co-rotating shafts Astern: counter-rotating shafts
Reduction ratios:	Custom (on request)
Shaft arrangement:	Parallel input and output shafts on opposite sides, vertically offset (standard)
Clutch(es):	Hydraulically operated clutch(es)
Bearing type:	Roller bearings
Gearbox housing:	Steel / Cast iron design
Mounting:	Free-standing
Propulsion system:	Diesel-mechanic, hybrid ready (optional)



Gearbox Characteristics

ZWVS

Gearbox type:	Two-speed reverse reduction gearbox
Main application:	Fast vessels
Driven component:	Fixed Pitch Propeller
Shaft rotation:	Ahead: co-rotating shafts Astern: counter-rotating shafts
Reduction ratios:	Custom (on request)
Shaft arrangement:	Parallel input and output shafts on opposite sides, vertically offset (standard)
Clutch(es):	Hydraulically operated clutch(es)
Bearing type:	Roller bearings
Gearbox housing:	Aluminium alloy, weight optimized design
Mounting:	Free-standing
Propulsion system:	Diesel-mechanic, hybrid ready (optional)

ZWVSA

Gearbox type:	Two-speed reverse reduction gearbox
Main application:	Fast vessels
Driven component:	Fixed Pitch Propeller
Shaft rotation:	Ahead: counter-rotating shafts Astern: co-rotating shafts
Reduction ratios:	Custom (on request)
Shaft arrangement:	Down angle, V-drive, vertically offset
Clutch(es):	Hydraulically operated clutch(es)
Bearing type:	Roller bearings
Gearbox housing:	Aluminium alloy, weight optimized design
Mounting:	Free-standing
Propulsion system:	Diesel-mechanic, hybrid ready (optional)

ZSVAL

Gearbox type:	Two-speed reduction gearbox
Main application:	Workboats
Driven component:	Controllable Pitch Propeller
Shaft rotation:	Counter-rotating input and output shafts
Reduction ratios:	Custom (on request)
Shaft arrangement:	Parallel input and output shafts on opposite sides, vertically offset (standard)
Clutch(es):	Hydraulically operated clutch(es)
Bearing type:	Slide bearings
Gearbox housing:	Steel / Cast iron design
Mounting:	Free-standing
Propulsion system:	Diesel-mechanic, hybrid ready (optional)

EF

Gearbox type:	Reduction gearbox
Main application:	Workboats, ideal for electric drive
Driven component:	Controllable or Fixed Pitch Propeller
Shaft rotation:	Counter-rotating input and output shafts
Reduction ratios:	Standard and custom (on request)
Shaft arrangement:	Parallel input and output shafts on opposite sides, vertically offset (standard)
Clutch(es):	None
Bearing type:	Roller bearings
Gearbox housing:	Steel / Cast iron design
Mounting:	Free-standing
Propulsion system:	Diesel-mechanic, hybrid ready (optional)



Gearbox Characteristics

AF

Gearbox type:	Reduction gearbox
Main application:	Workboats, ideal for electric drive
Driven component:	Controllable or Fixed Pitch Propeller
Shaft rotation:	Counter-rotating input and output shafts
Reduction ratios:	Standard and custom (on request)
Shaft arrangement:	Parallel input and output shafts on opposite sides, vertically offset (standard)
Clutch(es):	None
Bearing type:	Roller bearings
Gearbox housing:	Steel / Cast iron design
Mounting:	Free-standing
Propulsion system:	Diesel-mechanic, hybrid ready (optional)

LF

Gearbox type:	Reduction gearbox
Main application:	Workboats
Driven component:	Controllable Pitch Propeller
Shaft rotation:	Co- or Counter-rotating shafts
Reduction ratios:	Standard and custom (on request)
Shaft arrangement:	Parallel input and output shafts on opposite sides, vertically offset (standard)
Clutch(es):	Hydraulically operated clutch(es)
Bearing type:	Roller bearings
Gearbox housing:	Steel / Cast iron design
Mounting:	Free-standing / close-coupled with SAE housings (small sizes)
Propulsion system:	Diesel-mechanic, hybrid ready (optional)

LAF

Gearbox type:	Reduction gearbox
Main application:	Workboats
Driven component:	Controllable Pitch Propeller
Shaft rotation:	Co- or Counter-rotating shafts
Reduction ratios:	Standard and custom (on request)
Shaft arrangement:	Parallel input and output shafts on opposite sides, vertically offset (standard)
Clutch(es):	Hydraulically operated clutch(es)
Bearing type:	Roller bearings
Gearbox housing:	Steel / Cast iron design
Mounting:	Free-standing / close-coupled with SAE housings (small sizes)
Propulsion system:	Diesel-mechanic, hybrid ready (optional)

LGF

Gearbox type:	Reduction gearbox with attached gear step
Main application:	Workboats
Driven component:	Controllable Pitch Propeller
Shaft rotation:	Co- or Counter-rotating shafts
Reduction ratios:	Standard and custom (on request)
Shaft arrangement:	Parallel input and output shafts on opposite sides, vertically offset (standard)
Clutch(es):	Hydraulically operated clutch(es)
Bearing type:	Roller bearings
Gearbox housing:	Steel / Cast iron design
Mounting:	Free-standing
Propulsion system:	Diesel-mechanic, hybrid ready (optional)



Gearbox Characteristics

WLS

Gearbox type:	Reduction gearbox
Main application:	Fast vessels
Driven component:	Controllable Pitch Propeller
Shaft rotation:	Co- or Counter-rotating shafts
Reduction ratios:	Standard and custom (on request)
Shaft arrangement:	Parallel input and output shafts, U-drive or opposite sides, vertically offset (standard)
Clutch(es):	Hydraulically operated clutch(es)
Bearing type:	Roller bearings
Gearbox housing:	Aluminium alloy, weight optimized design
Mounting:	Free-standing / close-coupled / U-drive SAE housings (small sizes)
Propulsion system:	Diesel-mechanic, hybrid ready (optional)

VLJ

Gearbox type:	Reduction gearbox
Main application:	Waterjets
Driven component:	Jet Propulsion
Shaft rotation:	Counter-rotating input and output shafts
Reduction ratios:	Standard and custom (on request)
Shaft arrangement:	Parallel input and output shafts on opposite sides, vertically offset (standard)
Clutch(es):	Hydraulically operated clutch(es)
Bearing type:	Roller bearings (standard) or Slide bearings (large sizes, on request)
Gearbox housing:	Aluminium alloy
Mounting:	Free-standing
Propulsion system:	Diesel-mechanic, hybrid ready (optional)

VA

Gearbox type:	Reduction gearbox
Main application:	Workboats
Driven component:	Controllable Pitch Propeller
Shaft rotation:	Counter-rotating input and output shafts
Reduction ratios:	Custom (on request)
Shaft arrangement:	Parallel input and output shafts on opposite sides, vertically offset (standard)
Clutch(es):	None
Bearing type:	Roller bearings
Gearbox housing:	Steel / Cast iron design
Mounting:	Free-standing
Propulsion system:	Diesel-mechanic, hybrid ready (optional)

SVA

Gearbox type:	Reduction gearbox
Main application:	Workboats
Driven component:	Controllable Pitch Propeller
Shaft rotation:	Counter-rotating input and output shafts
Reduction ratios:	Custom (on request)
Shaft arrangement:	Parallel input and output shafts on opposite sides, vertically offset (standard)
Clutch(es):	None
Bearing type:	Slide bearings
Gearbox housing:	Steel / Cast iron design
Mounting:	Free-standing
Propulsion system:	Diesel-mechanic, hybrid ready (optional)



Gearbox Characteristics

SVAL

Gearbox type:	Reduction gearbox
Main application:	Workboats
Driven component:	Controllable Pitch Propeller
Shaft rotation:	Counter-rotating input and output shafts
Reduction ratios:	Custom (on request), two-speed versions available
Shaft arrangement:	Parallel input and output shafts on opposite sides, vertically offset (standard)
Clutch(es):	Hydraulically operated clutch(es)
Bearing type:	Slide bearings
Gearbox housing:	Steel / Cast iron design
Mounting:	Free-standing
Propulsion system:	Diesel-mechanic, hybrid ready (optional)

DLG

Gearbox type:	Twin input / single output reduction gearbox
Main application:	Workboats, Ferries
Driven component:	Controllable Pitch Propeller
Shaft rotation:	Counter-rotating input and output shafts
Reduction ratios:	Custom (on request)
Shaft arrangement:	2 parallel input and 1 output shaft, horizontally offset (standard)
Clutch(es):	Hydraulically operated clutch(es)
Bearing type:	Rolling or slide bearings (size dependent)
Gearbox housing:	Steel / Cast iron design
Mounting:	Free-standing
Propulsion system:	Diesel-mechanic, hybrid ready (optional)

DLGF

Gearbox type:	Twin input shafts with attached gear step
Main application:	Workboats
Driven component:	Controllable Pitch Propeller
Shaft rotation:	Counter-rotating input and output shafts
Reduction ratios:	Custom (on request)
Shaft arrangement:	2 parallel input and 1 output shaft, horizontally offset (standard)
Clutch(es):	Hydraulically operated clutch(es)
Bearing type:	Rolling or slide bearings (size dependent)
Gearbox housing:	Steel / Cast iron design
Mounting:	Free-standing
Propulsion system:	Diesel-mechanic, hybrid ready (optional)

DUG

Gearbox type:	Twin input / single output reduction gearbox
Main application:	Workboats, Ferries with electric drive
Driven component:	Controllable or Fixed Pitch Propeller
Shaft rotation:	Counter-rotating input and output shafts
Reduction ratios:	Custom (on request)
Shaft arrangement:	2 parallel input and 1 output shaft, horizontally offset (standard)
Clutch(es):	None
Bearing type:	Rolling or slide bearings (size dependent)
Gearbox housing:	Steel / Cast iron design
Mounting:	Free-standing
Propulsion system:	Electric propulsion



Gearbox Characteristics

DVLJ

Gearbox type:	Twin input / single output reduction gearbox
Main application:	Waterjets
Driven component:	Jet Propulsion
Shaft rotation:	Counter-rotating input and output shafts
Reduction ratios:	Custom (on request)
Shaft arrangement:	2 parallel input and 1 output shaft, horizontally offset (standard)
Clutch(es):	Hydraulically operated clutch(es)
Bearing type:	Roller bearings
Gearbox housing:	Aluminium alloy
Mounting:	Free-standing
Propulsion system:	Diesel-mechanic, hybrid ready (optional)

RDG

Gearbox type:	Reduction gearbox
Main application:	Dredgers
Driven component:	Dredger pump
Shaft rotation:	Counter-rotating input and output shafts
Reduction ratios:	Custom (on request)
Shaft arrangement:	Parallel input and output shafts on opposite sides, vertically offset (standard)
Clutch(es):	None
Bearing type:	Roller bearings
Gearbox housing:	Steel / Cast iron design
Mounting:	Free-standing
Propulsion system:	Electric propulsion

RDGL

Gearbox type:	Reduction gearbox
Main application:	Dredgers
Driven component:	Dredger pump
Shaft rotation:	Counter-rotating input and output shafts
Reduction ratios:	Custom (on request)
Shaft arrangement:	Parallel input and output shafts on opposite sides, vertically offset (standard)
Clutch(es):	Hydraulically operated clutch(es)
Bearing type:	Roller bearings
Gearbox housing:	Steel / Cast iron design
Mounting:	Free-standing
Propulsion system:	Electric propulsion

Important Notes

REINTJES Marine Gearboxes

Warranty

The marine gearboxes are subject to the standard REINTJES warranty conditions. Modifications of the gearbox are only permissible in consultation with REINTJES.

Torsional Responsibility

The torsional couplings are selected according to engine torque. In the event that different couplings are required as a result of the torsional vibration calculation, the costs for this change will be for the purchaser's account. Torsional vibration analysis can be made by the engine builders, independent consultants etc. The responsibility for ensuring torsional compatibility of the propulsion system rests with the assembler of the equipment. REINTJES cannot be held liable for damages due to inadmissible high alternating moments on the units supplied by us. These will disengage us from any warranty agreement.

Ratings

Ratings are for diesel engines only, at the rated speeds. The models, ratings, texts, and data contained in this publication are subject to change without prior notice. REINTJES considers standard rotation engines to be counterclockwise (ccw) in rotation, when viewed onto the flywheel end. Please advise REINTJES of engine rotation prior to gearbox selection.

Safety Information

The majority of accidents which occur during operation, maintenance, and repair are caused by failure to observe basic safety rules and accident-prevention precautions. Accidents can often be avoided by correct assessment of potentially hazardous situations. The operating personnel must, at all times, be alert to potential hazards. Furthermore, they must be fully trained, skilled operators provided with the necessary tools and equipment required to perform these functions correctly. Supplementary to the operating manual, all generally valid legal and other binding regulations for accident prevention and pollution control have to be observed and adhered to.

Classification

Classification ratings are available on request.

Options

Information regarding options such as trolling propulsion system, PTO, etc. are available on separate product sheets.

Marine Duty Profiles



Continuous Duty

Typical applications: commercial vessels
Engine speed and power: continuous operation with little or no variations
Average engine operating hours: unlimited
Typical hull forms: displacement



Medium Duty

Typical applications: private, charter, commercial craft, naval and governmental ships
Engine speed and power: intermittent operation with some variations
Average engine operating hours: 4000 hours/year
Typical hull forms: planing, semi-planing, displacement, catamaran



Light Duty

Typical applications: private, charter, sport and pleasure craft, naval and governmental ships
Engine speed and power: intermittent operation with large variations
Average engine operating hours: 2500 hours/year
Typical hull forms: planing, semi-planing, displacement



Pleasure Duty

Typical applications: private, noncommercial, noncharter, sport and leisure activities
Engine speed and power: intermittent operation with very large variations
Average engine operating hours: 500 hours/year
Typical hull forms: planing, semi-planing



Super Pleasure Duty

Typical applications: private, non-commercial, non-charter, sport and leisure activities
Engine speed and power: intermittent operation with very large variations and very low full power share
Average engine operating hours: <500 hours/year
Typical hull forms: planing, semi-planing

REINTJES Product Portfolio

■ WAF

Wendeuntersetzungsgetriebe (reverse reduction gearbox)

Achsversetzt (shafts offset)

Anflanschführung (version with flange)

■ WGF

Wendeuntersetzungsgetriebe aus WAF (reverse reduction gearbox derived from WAF)

Vorsatzstufe angeflanscht (flange-connected housing for two-step gearbox)

■ WVS

Wendeuntersetzungsgetriebe (reverse reduction gearbox)

Achsversetzt (shafts offset)

für Schnelle Schiffe (for fast vessels)

■ WWSA

WVS in Down-Angle-Ausführung (WVS in down angle design)

■ WWSFA

WVS in Down-Angle-V-Drive-Ausführung
Vorsatzstufe angeflanscht (flange-connected housing for two-step gearbox in down angle design, V-drive)

■ ZWAF

Zweigang-Wendeuntersetzungsgetriebe (two-speed reverse reduction gearbox)

Achsversetzt (shafts offset)

Anflanschführung (version with flange)

■ ZWVS

Zweigang-Wendeuntersetzungsgetriebe aus WVS (two-speed reverse reduction gearbox derived from WVS)

■ ZWWSA

Zweigang-Wendeuntersetzungsgetriebe aus WWSA (two-speed reverse reduction gearbox derived from WWSA)

■ ZSVAL

Zweigang-Untersetzungsgetriebe (two-speed reduction gearbox)

Slide bearings (slide bearings)

Verstellpropeller (for controllable pitch propeller)

Achsversetzt (shafts offset)

mit Lamellenkupplung (with disc clutch)

■ AF

Achsversetzt (shafts offset)

Anflanschführung (version with flange)

■ LAF

Untersetzungsgetriebe mit Lamellenkupplung (reduction gearbox with disc clutch)

Achsversetzt (shaft offset)

Anflanschführung (version with flange)

■ LGF

Untersetzungsgetriebe mit Lamellenkupplung (reduction gearbox with disc clutch)

ähnlich WGF (like WGF)

Vorsatzstufe angeflanscht (flange-connected housing for two-step gearboxes)

■ WLS

Untersetzungsgetriebe aus WVS (reduction gearbox derived from WVS)

mit Lamellenkupplung (with disc clutch)

■ VLJ

Achsversetztes Untersetzungsgetriebe (reduction gearbox with offset shafts)

mit Lamellenkupplung (with disc clutch)

für WaterJet (for water-jet)

■ VA

Untersetzungsgetriebe für Verstellpropeller (reduction gearbox for controllable pitch propeller)

Achsversetzt (shafts offset)

■ SVA

Untersetzungsgetriebe mit „Slide bearings“ (reduction gearbox with slide bearings)
Verstellpropeller (for controllable pitch propeller)

Achsversetzt (shafts offset)

■ SVAL

Untersetzungsgetriebe mit „Slide bearings“ (reduction gearbox with slide bearings)

Verstellpropeller (for controllable pitch propeller)

Achsversetzt (shafts offset)

mit Lamellenkupplung (with disc clutch)

■ SVLJ

Untersetzungsgetriebe mit „Slide bearings“ (reduction gearbox with slide bearings)

Achsversetzt (with offset shafts)
mit Lamellenkupplung (with disc clutch)
für WaterJet (for water-jet)

■ DLG

Doppeluntersetzungsgetriebe (twin input/single output reduction gearbox)

mit Lamellenkupplung (with disc clutch)

Gleiche Höhe (same height of the input shafts)

■ DUG

Doppeluntersetzungsgetriebe (twin input/single output reduction gearbox)

Horizontal, gleiche Höhe (horizontal, equal height)

■ RDG

REINTJES Dredging Gearbox (REINTJES Dredging Gearbox)

■ RDGL

REINTJES Dredging Gearbox (REINTJES Dredging Gearbox)
mit Lamellenkupplung (with disc clutch)

Abbreviations used after the Type designation

■ L

Limited torque version of gearbox type

■ DL

Diagonal Left offset of input shaft in view of output shaft

■ DR

Diagonal Right offset of input shaft in view of output shaft

■ HL

Horizontal Left offset of input shaft in view of output shaft

■ HR

Horizontal Right offset of input shaft in view of output shaft

■ U

U - Drive, input and output on the same side

■ HSnn

Hybrid System, gearbox with electrical motor of 10 x nn kW

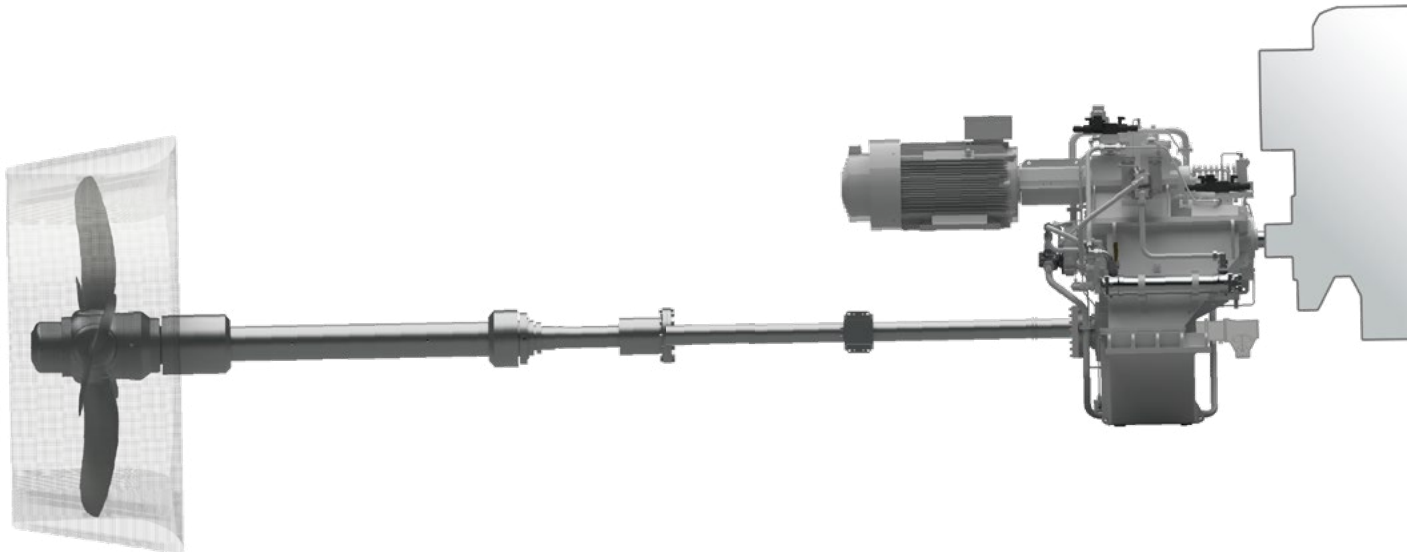
Marine Propulsion Packages

Based on REINTJES Gearboxes

can consist of multiple features like

- Propeller and nozzle
- Shafts (incl. tail shaft and intermediate shaft)
- Shafting arrangement and calculations
- Couplings
- PTI / PTO
- Hybrid Package
(incl. electric motor and frequency converter)
- Control system
- Monitoring system
- Powertrain consultancy
- and more

REINTJES offers various packages independently from other suppliers. The expertise developed by REINTJES in more than 100 years of experience in marine Powertrain Solutions and the strong network within marine industry enable REINTJES to find the best package solution for your demand. Please contact our sales team for your customised marine package.



Marine Propulsion Packages

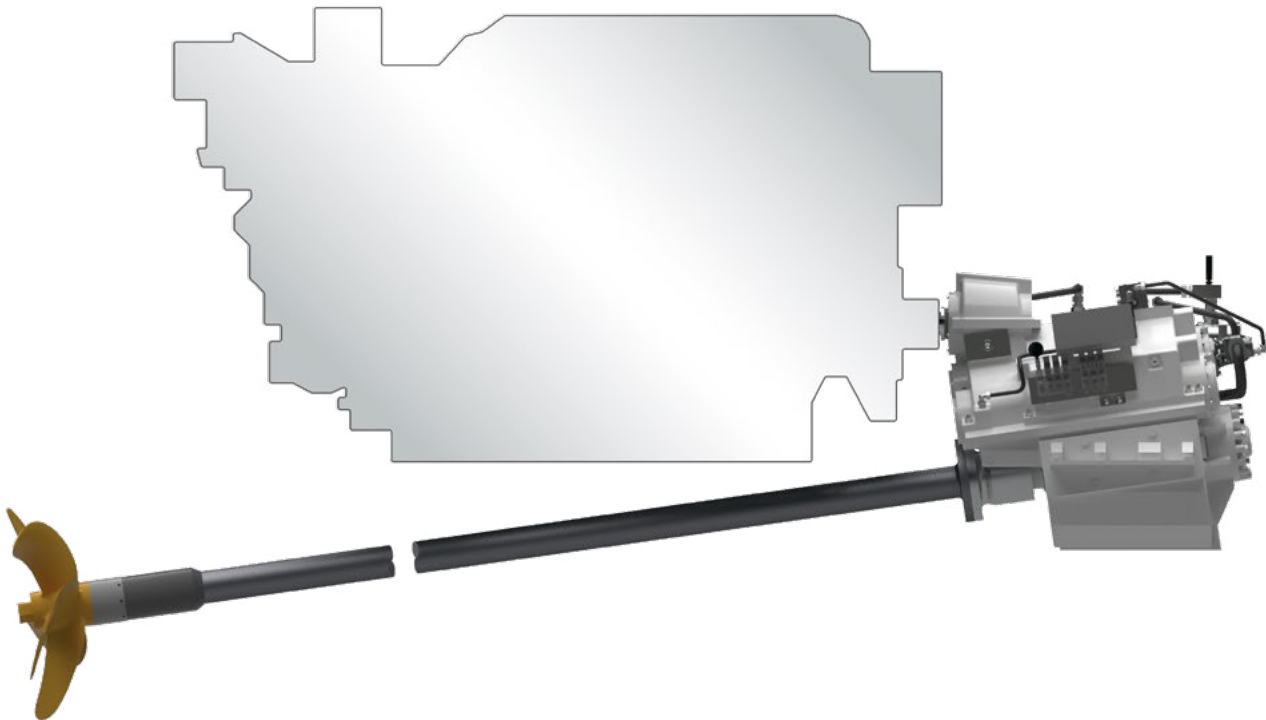
Based on REINTJES Gearboxes

can consist of multiple features like

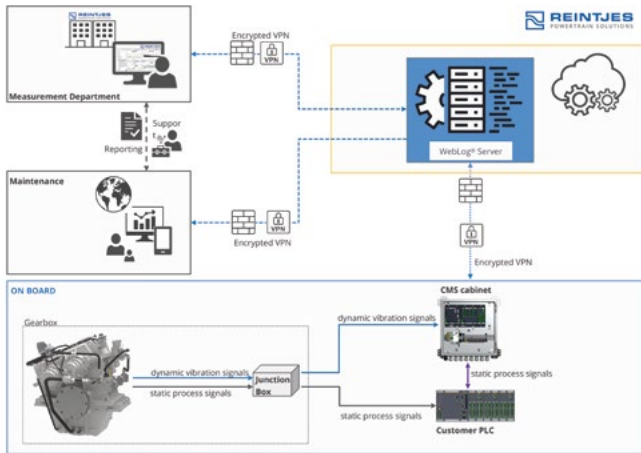
- Propeller
- Shafts (incl. tail shaft and intermediate shaft)
- Shafting arrangement and calculations
- Couplings
- PTI / PTO
- Hybrid Package
(incl. electric motor and frequency converter)
- Control system
- Monitoring system
- Powertrain consultancy
- and more

REINTJES offers various packages independently from other suppliers. The expertise developed by REINTJES in more than 100 years of experience in marine Powertrain Solutions and the strong network within marine industry enable REINTJES to find the best package solution for your demand. Please contact our sales team for your customised marine package.

FPP



Condition Monitoring System



- Continuous monitoring of highly dynamic vibrations and process values
- Automatic trend monitoring of frequency-selective characteristic values for early wear detection
- Supporting customers with preventive measures and machine diagnostics
- Support for condition-based maintenance and increasing machine availability

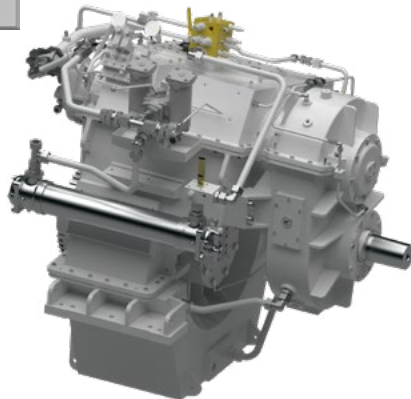
REINTJES Control System



- Modular system architecture for standard and customized applications
- Engine control, speed curves and engine stall protection
- Gear operation, reversing maneuver curves
- Control of PTO and PTI, Trolling
- Wide range of hybrid propulsion solutions
- Internal software PLC to add special functions
- Designed to meet all requirements of classification societies
- Connected to all common marine engines and transmissions
- Interfaces to DP systems, autopilot or VDR can be provided
- Wide range of parameters to adapt the system to the requirements

Functions	GBX-A	GBX-C
Ahead	X	X
Astern	X	X
ADS	X	X
Shaft Brake	X	
PTI /PTO	X	
2nd Gear	X	
Visualisation via HMI	X	

GBX-A available for:		
Down Angle	WVSA	Standard
	WVSFA	Standard
Small Gears	WF 350-580	Option
Medium Gears	WAF/LAF 665-1973	Option
	WGF/LGF 665-1963	Option
Light Gears	WVS / WLS small 234-430	Option
	WVS / WLS mid 730-2240	Option
	VLJ mid 430-2230	Option



WGF 863 with GBX-A

		Gearbox Type																						
		WF	WAF	WGF	WVS	WVSA	WVSFA	ZWAF	ZWVS		ZWVSA	ZSVAL	AF	LAF	LGf	WLS	VlJ	VA	SVA	SVAL	DLG	DUG	RDG	RDGL
Application Driven component	Workboats	x	x										x											
	Fishing vessels	x	x	x				x				x		x	x				x	x				
	Inland waterway vessels	x	x																					
	Tug boats	x	x																					
	Cargo vessels	x	x											x					x	x	x			
	Patrol vessels				x	x			x		x					x						x		
	Crew transfer vessels				x																			
	Fast yachts				x																			
	Yachts					x	x																	
	Wind farm maintenance and supply vessels						x				x													
	Full electric vessels												x											
	Fast ferries																	x						
	Ro Ro ferries																					x		
	Corvettes																					x		
	Frigates																					x		
	Electric drive vessels																						x	
Dredgers																							x	x
Driven component	FPP	x	x	x	x	x	x	x	x		x		x											
	CPP												x	x	x	x			x	x	x	x	x	
	Waterjet																							
	Dredger pump																							x
Gearbox Characteristics	Reverse reduction	x	x	x	x	x	x	x	x		x													
	clutchable	x	x	x	x	x	x	x	x		x	x		x	x	x	x			x	x			x
	Two speed								x	x		x	x											
	Down Angle							x	x		x													
	Twin in - single out																					x	x	
	Cast iron / steel housing	x	x	x	x				x				x	x	x	x				x	x	x	x	x
Aluminium housing				x	x	x		x								x	x							



WF series

				kW/rpm	kg	kW	(BHP)	kW	(BHP)	kW	(BHP)
WF 350	Continuous Duty				695	1600 rpm		1950 rpm		2300 rpm *	
4.190	4.737	5.056		0.34		544	(730)	663	(889)	782	(1049)
WF 370	Continuous Duty				730	1600 rpm		1950 rpm		2300 rpm *	
5.381	6.053	6.444		0.34		544	(730)	663	(889)	782	(1049)
WF 380	Continuous Duty				1205	1600 rpm		1950 rpm		2300 rpm *	
6.714	7.526	8.000		0.34		544	(730)	663	(889)	782	(1049)
WF 450	Continuous Duty				875	1600 rpm		1950 rpm		2300 rpm *	
4.190	4.737	5.056		0.48		768	(1030)	936	(1255)	1104	(1480)
WF 470	Continuous Duty				1145	1600 rpm		1950 rpm		2300 rpm *	
5.381	6.053	6.444		0.48		768	(1030)	936	(1255)	1104	(1480)
WF 480	Continuous Duty				1565	1600 rpm		1950 rpm		2300 rpm *	
6.714	7.526	8.000		0.48		768	(1030)	936	(1255)	1104	(1480)
WF 550	Continuous Duty				1200	1400 rpm		1800 rpm		2300 rpm *	
4.190	4.737	5.056		0.63		882	(1183)	1134	(1521)	1449	(1943)
WF 570	Continuous Duty				1425	1400 rpm		1800 rpm		2300 rpm *	
5.381	6.053	6.444		0.63		882	(1183)	1134	(1521)	1449	(1943)
WF 580	Continuous Duty				1850	1400 rpm		1800 rpm		2300 rpm *	
6.714	7.526	8.000		0.63		882	(1183)	1134	(1521)	1449	(1943)



WAF 164 series

			kW/rpm	kg	kW	(BHP)	kW	(BHP)	kW	(BHP)
WAF 164	Continuous Duty			525	1600 rpm		1800 rpm		2100 rpm *	
3.964	4.560	5.043	0.22		352	(472)	396	(531)	462	(620)
5.950			0.21		336	(451)	378	(507)	441	(591)
WAF 164	Medium Duty			525	1600 rpm		1800 rpm		2100 rpm *	
3.964	4.560	5.043	0.23		368	(493)	414	(555)	483	(648)
5.950			0.21		336	(451)	378	(507)	441	(591)
WAF 164	Light Duty			525	1600 rpm		1800 rpm		2100 rpm *	
3.964	4.560	5.043	0.24		384	(515)	432	(579)	504	(676)
5.950			0.22		352	(472)	396	(531)	462	(620)
WAF 164	Pleasure Duty			525	1900 rpm		2100 rpm		2300 rpm *	
3.964	4.560	5.043	0.25		475	(637)	525	(704)	575	(771)
5.950			0.23		437	(586)	483	(648)	529	(709)



WAF 244 series

			kW/rpm	kg	kW	(BHP)	kW	(BHP)	kW	(BHP)
WAF 244L	Continuous Duty			455	1600 rpm		1800 rpm		2100 rpm *	
2.037	2.538	2.957	0.25		400	(536)	450	(603)	525	(704)
3.522			0.23		368	(493)	414	(555)	483	(648)
3.952			0.21		336	(451)	378	(507)	441	(591)
WAF 244	Continuous Duty			455	1600 rpm		1800 rpm		2100 rpm *	
2.037	2.538		0.29		464	(622)	522	(700)	609	(817)
2.957			0.27		432	(579)	486	(652)	567	(760)
3.478	3.522		0.24		384	(515)	432	(579)	504	(676)
3.952			0.23		368	(493)	414	(555)	483	(648)
WAF 244L	Medium Duty			455	1600 rpm		1800 rpm		2100 rpm *	
2.037	2.538		0.28		448	(601)	504	(676)	588	(789)
2.957			0.26		416	(558)	468	(628)	546	(732)
3.522			0.24		384	(515)	432	(579)	504	(676)
3.952			0.22		352	(472)	396	(531)	462	(620)



WAF 244 series

		kW/rpm	kg	kW	(BHP)	kW	(BHP)	kW	(BHP)
WAF 244	Medium Duty		455	1600 rpm	1800 rpm	2100 rpm *			
2.037	2.538	0.29		464	(622)	522	(700)	609	(817)
2.957		0.27		432	(579)	486	(652)	567	(760)
3.478	3.522	0.25		400	(536)	450	(603)	525	(704)
3.952		0.23		368	(493)	414	(555)	483	(648)
WAF 244L	Light Duty		455	1600 rpm	1800 rpm	2100 rpm *			
2.037	2.538	0.28		448	(601)	504	(676)	588	(789)
2.957		0.27		432	(579)	486	(652)	567	(760)
3.522		0.25		400	(536)	450	(603)	525	(704)
3.952		0.23		368	(493)	414	(555)	483	(648)
WAF 244	Light Duty		455	1600 rpm	1800 rpm	2100 rpm *			
2.037	2.538	0.29		469	(629)	527	(707)	615	(825)
2.957		0.28		448	(601)	504	(676)	588	(789)
3.522		0.26		416	(558)	468	(628)	546	(732)
3.478		0.25		411	(551)	463	(620)	540	(724)
3.952		0.24		384	(515)	432	(579)	504	(676)
WAF 244L	Pleasure Duty		455	1900 rpm	2100 rpm	2300 rpm *			
2.037	2.538	2.957	0.28	532	(713)	588	(789)	644	(864)
3.522			0.26	494	(662)	546	(732)	598	(802)
3.952			0.24	456	(611)	504	(676)	552	(740)
WAF 244	Pleasure Duty		455	1900 rpm	2100 rpm	2300 rpm *			
2.037	2.538	2.957	0.29	557	(747)	615	(825)	674	(904)
2.037	2.538	2.957	0.29	551	(739)	609	(817)	667	(894)
3.522			0.27	513	(688)	567	(760)	621	(833)
3.478	3.952		0.25	488	(655)	540	(724)	591	(793)
3.478	3.952		0.25	475	(637)	525	(704)	575	(771)



WAF 264 series

				kW/rpm	kg	kW	(BHP)	kW	(BHP)	kW	(BHP)
WAF 264L Continuous Duty					700	1600 rpm		1800 rpm		2100 rpm *	
3.519	4.083	4.500	5.050	0.25		400	(536)	450	(603)	525	(704)
5.476				0.24		384	(515)	432	(579)	504	(676)
5.800				0.22		352	(472)	396	(531)	462	(620)
WAF 264 Continuous Duty					700	1600 rpm		1800 rpm		2100 rpm *	
3.519	4.083	4.500	4.762	0.29		464	(622)	522	(700)	609	(817)
WAF 264 Continuous Duty					700	1600 rpm		1800 rpm		2100 rpm *	
5.050				0.27		432	(579)	486	(652)	567	(760)
5.476				0.26		416	(558)	468	(628)	546	(732)
5.800				0.24		384	(515)	432	(579)	504	(676)
WAF 264L Medium Duty					700	1600 rpm		1800 rpm		2100 rpm *	
3.519	4.083	4.500		0.28		448	(601)	504	(676)	588	(789)
5.050				0.26		416	(558)	468	(628)	546	(732)
5.476				0.24		384	(515)	432	(579)	504	(676)
5.800				0.23		368	(493)	414	(555)	483	(648)
WAF 264 Medium Duty					700	1600 rpm		1800 rpm		2100 rpm *	
3.519	4.083	4.500	4.762	0.29		464	(622)	522	(700)	609	(817)
5.050				0.27		432	(579)	486	(652)	567	(760)
5.476				0.26		416	(558)	468	(628)	546	(732)
5.800				0.24		384	(515)	432	(579)	504	(676)
WAF 264L Light Duty					700	1600 rpm		1800 rpm		2100 rpm *	
3.519	4.083	4.500		0.28		448	(601)	504	(676)	588	(789)
5.050				0.27		432	(579)	486	(652)	567	(760)
5.476				0.26		416	(558)	468	(628)	546	(732)
5.800				0.24		384	(515)	432	(579)	504	(676)
WAF 264 Light Duty					700	1600 rpm		1800 rpm		2100 rpm *	
3.519	4.083	4.500	4.762	0.29		469	(629)	527	(707)	615	(825)
5.050				0.28		448	(601)	504	(676)	588	(789)
5.476				0.27		432	(579)	486	(652)	567	(760)
5.800				0.25		400	(536)	450	(603)	525	(704)



WAF 264 series

					kW/rpm	kg	kW	(BHP)	kW	(BHP)	kW	(BHP)
WAF 264L	Pleasure Duty					700	1900 rpm		2100 rpm		2300 rpm *	
3.519	4.083	4.500	5.050		0.28		532	(713)	588	(789)	644	(864)
5.476					0.27		513	(688)	567	(760)	621	(833)
5.800					0.25		475	(637)	525	(704)	575	(771)
WAF 264	Pleasure Duty					700	1900 rpm		2100 rpm		2300 rpm *	
3.519	4.083	4.500	4.762	5.050	0.29		557	(747)	615	(825)	674	(904)
3.519	4.083	4.500	4.762	5.050	0.29		551	(739)	609	(817)	667	(894)
5.476					0.28		532	(713)	588	(789)	644	(864)
5.800					0.26		494	(662)	546	(732)	598	(802)



WAF 274 series

			kW/rpm	kg	kW	(BHP)	kW	(BHP)	kW	(BHP)
WAF 274L	Continuous Duty			725	1600 rpm		1800 rpm		2100 rpm *	
6.400			0.26		416	(558)	468	(628)	546	(732)
6.115	7.043		0.25		400	(536)	450	(603)	525	(704)
7.409			0.24		384	(515)	432	(579)	504	(676)
WAF 274	Continuous Duty			725	1600 rpm		1800 rpm		2100 rpm *	
6.115	6.400		0.29		464	(622)	522	(700)	609	(817)
7.043			0.27		432	(579)	486	(652)	567	(760)
7.409			0.25		400	(536)	450	(603)	525	(704)
WAF 274L	Medium Duty			725	1600 rpm		1800 rpm		2100 rpm *	
6.115	6.400		0.28		448	(601)	504	(676)	588	(789)
7.043			0.26		416	(558)	468	(628)	546	(732)
7.409			0.24		384	(515)	432	(579)	504	(676)
WAF 274	Medium Duty			725	1600 rpm		1800 rpm		2100 rpm *	
6.115	6.400		0.29		464	(622)	522	(700)	609	(817)
7.043			0.27		432	(579)	486	(652)	567	(760)
7.409			0.25		400	(536)	450	(603)	525	(704)
WAF 274L	Light Duty			725	1600 rpm		1800 rpm		2100 rpm *	
6.115	6.400		0.28		448	(601)	504	(676)	588	(789)
7.043			0.27		432	(579)	486	(652)	567	(760)
7.409			0.25		400	(536)	450	(603)	525	(704)
WAF 274	Light Duty			725	1600 rpm		1800 rpm		2100 rpm *	
6.115	6.400		0.29		469	(629)	527	(707)	615	(825)
7.043			0.28		448	(601)	504	(676)	588	(789)
7.409			0.26		416	(558)	468	(628)	546	(732)
WAF 274L	Pleasure Duty			725	1900 rpm		2100 rpm		2300 rpm *	
6.115	6.400	7.043	0.28		532	(713)	588	(789)	644	(864)
7.409			0.26		494	(662)	546	(732)	598	(802)
WAF 274	Pleasure Duty			725	1900 rpm		2100 rpm		2300 rpm *	
6.115	6.400	7.043	0.29		557	(747)	615	(825)	674	(904)
7.409			0.27		513	(688)	567	(760)	621	(833)



WAF 344 series

			kW/rpm	kg	kW	(BHP)	kW	(BHP)	kW	(BHP)
WAF 344L Continuous Duty				730	1600 rpm		1800 rpm		2100 rpm *	
1.972	2.452	2.963	0.33		528	(708)	594	(797)	693	(929)
3.571			0.29		464	(622)	522	(700)	609	(817)
4.053			0.28		448	(601)	504	(676)	588	(789)
WAF 344 Continuous Duty				730	1600 rpm		1800 rpm		2100 rpm *	
1.972	2.452	2.963	0.36		576	(772)	648	(869)	756	(1014)
3.280	3.571		0.33		528	(708)	594	(797)	693	(929)
4.053			0.31		496	(665)	558	(748)	651	(873)
WAF 344L Medium Duty				730	1600 rpm		1800 rpm		2100 rpm *	
1.972	2.452	2.963	0.35		560	(751)	630	(845)	735	(986)
3.571			0.32		512	(687)	576	(772)	672	(901)
4.053			0.30		480	(644)	540	(724)	630	(845)
WAF 344 Medium Duty				730	1600 rpm		1800 rpm		2100 rpm *	
1.972	2.452	2.963	0.36		576	(772)	648	(869)	756	(1014)
3.280	3.571		0.33		528	(708)	594	(797)	693	(929)
4.053			0.31		496	(665)	558	(748)	651	(873)
WAF 344L Light Duty				730	1600 rpm		1800 rpm		2100 rpm *	
1.972	2.452	2.963	0.36		576	(772)	648	(869)	756	(1014)
3.571			0.33		528	(708)	594	(797)	693	(929)
4.053			0.31		496	(665)	558	(748)	651	(873)
WAF 344 Light Duty				730	1600 rpm		1800 rpm		2100 rpm *	
1.972	2.452	2.963	0.37		592	(794)	666	(893)	777	(1042)
3.280	3.571		0.34		544	(730)	612	(821)	714	(957)
4.053			0.32		512	(687)	576	(772)	672	(901)
WAF 344L Pleasure Duty				730	1900 rpm		2100 rpm		2300 rpm *	
1.972	2.452	2.963	0.37		703	(943)	777	(1042)	851	(1141)
3.571			0.33		627	(841)	693	(929)	759	(1018)
4.053			0.31		589	(790)	651	(873)	713	(956)
WAF 344 Pleasure Duty				730	1900 rpm		2100 rpm		2300 rpm *	
1.972	2.452	2.963	0.38		722	(968)	798	(1070)	874	(1172)
3.280	3.571		0.35		665	(892)	735	(986)	805	(1080)
4.053			0.33		627	(841)	693	(929)	759	(1018)



WAF 364 series

					kW/rpm	kg	kW	(BHP)	kW	(BHP)	kW	(BHP)
WAF 364L Continuous Duty						810	1600 rpm		1800 rpm		2100 rpm *	
3.485	3.933	4.481	4.920	5.435	0.33		528	(708)	594	(797)	693	(929)
6.048					0.30		480	(644)	540	(724)	630	(845)
WAF 364 Continuous Duty						810	1600 rpm		1800 rpm		2100 rpm *	
3.485	3.933	4.481	4.920	5.435	0.36		576	(772)	648	(869)	756	(1014)
6.048					0.34		544	(730)	612	(821)	714	(957)
WAF 364L Medium Duty						810	1600 rpm		1800 rpm		2100 rpm *	
3.485	3.933	4.481	4.920	5.435	0.35		560	(751)	630	(845)	735	(986)
6.048					0.34		544	(730)	612	(821)	714	(957)
WAF 364 Medium Duty						810	1600 rpm		1800 rpm		2100 rpm *	
3.485	3.933	4.481	4.920	5.435	0.36		576	(772)	648	(869)	756	(1014)
6.048					0.35		560	(751)	630	(845)	735	(986)
WAF 364L Light Duty						810	1600 rpm		1800 rpm		2100 rpm *	
3.485	3.933	4.481	4.920	5.435	0.36		576	(772)	648	(869)	756	(1014)
6.048					0.35		560	(751)	630	(845)	735	(986)
WAF 364 Light Duty						810	1600 rpm		1800 rpm		2100 rpm *	
3.485	3.933	4.481	4.920	5.435	0.37		592	(794)	666	(893)	777	(1042)
6.048					0.36		576	(772)	648	(869)	756	(1014)
WAF 364L Pleasure Duty						810	1900 rpm		2100 rpm		2300 rpm *	
3.485	3.933	4.481	4.920	5.435	0.37		703	(943)	777	(1042)	851	(1141)
6.048					0.36		684	(917)	756	(1014)	828	(1110)
WAF 364 Pleasure Duty						810	1900 rpm		2100 rpm		2300 rpm *	
3.485	3.933	4.481	4.920	5.435	0.38		722	(968)	798	(1070)	874	(1172)
6.048					0.37		703	(943)	777	(1042)	851	(1141)



WAF 374 series

				kW/rpm	kg	kW	(BHP)	kW	(BHP)	kW	(BHP)
WAF 374L Continuous Duty				1200		1600 rpm		1800 rpm		2100 rpm *	
6.120	6.417	7.091		0.32		512	(687)	576	(772)	672	(901)
7.476				0.29		464	(622)	522	(700)	609	(817)
WAF 374 Continuous Duty				1200		1600 rpm		1800 rpm		2100 rpm *	
6.120	6.417	6.739	7.091	0.36		576	(772)	648	(869)	756	(1014)
7.476				0.33		528	(708)	594	(797)	693	(929)
WAF 374L Medium Duty				1200		1600 rpm		1800 rpm		2100 rpm *	
6.120	6.417	7.091		0.35		560	(751)	630	(845)	735	(986)
7.476				0.32		512	(687)	576	(772)	672	(901)
WAF 374 Medium Duty				1200		1600 rpm		1800 rpm		2100 rpm *	
6.120	6.417	6.739	7.091	0.36		576	(772)	648	(869)	756	(1014)
7.476				0.33		528	(708)	594	(797)	693	(929)
WAF 374L Light Duty				1200		1600 rpm		1800 rpm		2100 rpm *	
6.120	6.417	7.091		0.36		576	(772)	648	(869)	756	(1014)
7.476				0.33		528	(708)	594	(797)	693	(929)
WAF 374 Light Duty				1200		1600 rpm		1800 rpm		2100 rpm *	
6.120	6.417	6.739	7.091	0.37		592	(794)	666	(893)	777	(1042)
7.476				0.34		544	(730)	612	(821)	714	(957)
WAF 374L Pleasure Duty				1200		1900 rpm		2100 rpm		2300 rpm *	
6.120	6.417	7.091		0.37		703	(943)	777	(1042)	851	(1141)
7.476				0.34		646	(866)	714	(957)	782	(1049)
WAF 374 Pleasure Duty				1200		1900 rpm		2100 rpm		2300 rpm *	
6.120	6.417	6.739	7.091	0.38		722	(968)	798	(1070)	874	(1172)
7.476				0.35		665	(892)	735	(986)	805	(1080)



WAF 444 series

		kW/rpm	kg	kW	(BHP)	kW	(BHP)	kW	(BHP)
WAF 444L	Continuous Duty		760	1600 rpm		1800 rpm		2100 rpm *	
2.962	3.522	0.40		640	(858)	720	(966)	840	(1126)
3.952		0.35		560	(751)	630	(845)	735	(986)
WAF 444	Continuous Duty		760	1600 rpm		1800 rpm		2100 rpm *	
2.962		0.44		704	(944)	792	(1062)	924	(1239)
3.522		0.42		672	(901)	756	(1014)	882	(1183)
3.952		0.40		640	(858)	720	(966)	840	(1126)
WAF 444L	Medium Duty		760	1600 rpm		1800 rpm		2100 rpm *	
2.962		0.45		720	(966)	810	(1086)	945	(1267)
3.522		0.41		656	(880)	738	(990)	861	(1155)
WAF 444L	Medium Duty		760	1600 rpm		1800 rpm		2100 rpm *	
3.952		0.39		624	(837)	702	(941)	819	(1098)
WAF 444	Medium Duty		760	1600 rpm		1800 rpm		2100 rpm *	
2.962		0.46		736	(987)	828	(1110)	966	(1295)
3.522		0.42		672	(901)	756	(1014)	882	(1183)
3.952		0.40		640	(858)	720	(966)	840	(1126)
WAF 444L	Light Duty		760	1600 rpm		1800 rpm		2100 rpm *	
2.962		0.46		736	(987)	828	(1110)	966	(1295)
3.522		0.43		688	(923)	774	(1038)	903	(1211)
3.952		0.40		640	(858)	720	(966)	840	(1126)
WAF 444	Light Duty		760	1600 rpm		1800 rpm		2100 rpm *	
2.962		0.47		752	(1008)	846	(1134)	987	(1324)
3.522		0.44		704	(944)	792	(1062)	924	(1239)
3.952		0.41		656	(880)	738	(990)	861	(1155)
WAF 444L	Pleasure Duty		760	1900 rpm		2100 rpm		2300 rpm *	
2.962	3.522	0.46		874	(1172)	966	(1295)	1058	(1419)
3.952		0.41		779	(1045)	861	(1155)	943	(1265)
WAF 444	Pleasure Duty		760	1900 rpm		2100 rpm		2300 rpm *	
2.962	3.522	0.48		912	(1223)	1008	(1352)	1104	(1480)
3.952		0.42		798	(1070)	882	(1183)	966	(1295)



WAF 464 series

					kW/rpm	kg	kW	(BHP)	kW	(BHP)	kW	(BHP)
WAF 464L Continuous Duty						1260	1600 rpm		1800 rpm		2100 rpm *	
4.000	4.577	5.042	5.591	5.905	0.40		640	(858)	720	(966)	840	(1126)
WAF 464 Continuous Duty						1260	1600 rpm		1800 rpm		2100 rpm *	
4.000	4.577	5.042	5.591		0.46		736	(987)	828	(1110)	966	(1295)
5.905					0.45		720	(966)	810	(1086)	945	(1267)
WAF 464L Medium Duty						1260	1600 rpm		1800 rpm		2100 rpm *	
4.000	4.577	5.042	5.591		0.45		720	(966)	810	(1086)	945	(1267)
5.905					0.44		704	(944)	792	(1062)	924	(1239)
WAF 464 Medium Duty						1260	1600 rpm		1800 rpm		2100 rpm *	
4.000	4.577	5.042	5.591		0.46		736	(987)	828	(1110)	966	(1295)
5.905					0.45		720	(966)	810	(1086)	945	(1267)
WAF 464L Light Duty						1260	1600 rpm		1800 rpm		2100 rpm *	
4.000	4.577	5.042	5.591		0.46		736	(987)	828	(1110)	966	(1295)
5.905					0.45		720	(966)	810	(1086)	945	(1267)
WAF 464 Light Duty						1260	1600 rpm		1800 rpm		2100 rpm *	
4.000	4.577	5.042	5.591		0.47		752	(1008)	846	(1134)	987	(1324)
5.905					0.46		736	(987)	828	(1110)	966	(1295)
WAF 464L Pleasure Duty						1260	1900 rpm		2100 rpm		2300 rpm *	
4.000	4.577	5.042	5.591	5.905	0.46		874	(1172)	966	(1295)	1058	(1419)
WAF 464 Pleasure Duty						1260	1900 rpm		2100 rpm		2300 rpm *	
4.000	4.577	5.042	5.591		0.48		912	(1223)	1008	(1352)	1104	(1480)
5.905					0.47		893	(1198)	987	(1324)	1081	(1450)



WAF 474 series

				kW/rpm	kg	kW	(BHP)	kW	(BHP)	kW	(BHP)
WAF 474L Continuous Duty					1830	1600 rpm		1800 rpm		2100 rpm *	
6.120	6.417	7.091		0.40		640	(858)	720	(966)	840	(1126)
7.476				0.36		576	(772)	648	(869)	756	(1014)
WAF 474 Continuous Duty					1830	1600 rpm		1800 rpm		2100 rpm *	
6.120	6.417			0.46		736	(987)	828	(1110)	966	(1295)
7.091				0.45		720	(966)	810	(1086)	945	(1267)
7.476				0.41		656	(880)	738	(990)	861	(1155)
WAF 474L Medium Duty					1830	1600 rpm		1800 rpm		2100 rpm *	
6.120	6.417	7.091		0.45		720	(966)	810	(1086)	945	(1267)
7.476				0.44		704	(944)	792	(1062)	924	(1239)
WAF 474 Medium Duty					1830	1600 rpm		1800 rpm		2100 rpm *	
6.120	6.417	7.091		0.46		736	(987)	828	(1110)	966	(1295)
7.476				0.45		720	(966)	810	(1086)	945	(1267)
WAF 474L Light Duty					1830	1600 rpm		1800 rpm		2100 rpm *	
6.120	6.417	7.091		0.46		736	(987)	828	(1110)	966	(1295)
7.476				0.45		720	(966)	810	(1086)	945	(1267)
WAF 474 Light Duty					1830	1600 rpm		1800 rpm		2100 rpm *	
6.120	6.417	7.091		0.47		752	(1008)	846	(1134)	987	(1324)
7.476				0.46		736	(987)	828	(1110)	966	(1295)
WAF 474L Pleasure Duty					1830	1900 rpm		2100 rpm		2300 rpm *	
6.120	6.417	7.091	7.476	0.46		874	(1172)	966	(1295)	1058	(1419)
WAF 474 Pleasure Duty					1830	1900 rpm		2100 rpm		2300 rpm *	
6.120	6.417	7.091		0.48		912	(1223)	1008	(1352)	1104	(1480)
7.476				0.47		893	(1198)	987	(1324)	1081	(1450)



WAF 543 series

				kW/rpm	kg	kW (BHP)	kW (BHP)	kW (BHP)	kW (BHP)
WAF 543L	Continuous Duty				1035	1600 rpm	1800 rpm	2100 rpm *	
2.542	2.960	3.542	3.955	0.53		848 (1137)	954 (1279)	1113	(1493)
4.450				0.49		784 (1051)	882 (1183)	1029	(1380)
WAF 543	Continuous Duty				1035	1600 rpm	1800 rpm	2100 rpm *	
2.542	2.960	3.542		0.57		912 (1223)	1026 (1376)	1197	(1605)
3.955				0.55		880 (1180)	990 (1328)	1155	(1549)
4.450				0.49		784 (1051)	882 (1183)	1029	(1380)



WAF 563 series

				kW/rpm	kg	kW (BHP)	kW (BHP)	kW (BHP)	kW (BHP)
WAF 563L	Continuous Duty				1445	1600 rpm	1800 rpm	2100 rpm *	
4.545	5.050	5.421		0.57		912 (1223)	1026 (1376)	1197	(1605)
5.947				0.52		832 (1116)	936 (1255)	1092	(1464)
WAF 563	Continuous Duty				1445	1600 rpm	1800 rpm	2100 rpm *	
4.545	5.050	5.421		0.59		944 (1266)	1062 (1424)	1239	(1661)
5.947				0.55		880 (1180)	990 (1328)	1155	(1549)
WAF 563L	Medium Duty				1445	1600 rpm	1800 rpm	2100 rpm *	
4.545	5.050	5.421		0.57		912 (1223)	1026 (1376)	1197	(1605)
5.947				0.54		864 (1159)	972 (1303)	1134	(1521)
WAF 563	Medium Duty				1445	1600 rpm	1800 rpm	2100 rpm *	
4.545	5.050	5.421		0.59		944 (1266)	1062 (1424)	1239	(1661)
5.947				0.55		880 (1180)	990 (1328)	1155	(1549)
WAF 563L	Light Duty				1445	1600 rpm	1800 rpm	2100 rpm *	
4.545	5.050	5.421	5.947	0.57		912 (1223)	1026 (1376)	1197	(1605)
WAF 563	Light Duty				1445	1600 rpm	1800 rpm	2100 rpm *	
4.545	5.050	5.421		0.59		944 (1266)	1062 (1424)	1239	(1661)
5.947				0.58		928 (1244)	1044 (1400)	1218	(1633)
WAF 563L	Pleasure Duty				1445	1900 rpm	2100 rpm	2300 rpm *	
4.545	5.050	5.421	5.947	0.57		1083 (1452)	1197 (1605)	1311	(1758)
WAF 563	Pleasure Duty				1445	1900 rpm	2100 rpm	2300 rpm *	
4.545	5.050	5.421	5.947	0.64		1216 (1631)	1344 (1802)	1472	(1974)



WAF 573 series

					kW/rpm	kg	kW	(BHP)	kW	(BHP)	kW	(BHP)
WAF 573L Continuous Duty						2360	1200 rpm		1600 rpm		1800 rpm *	
6.417	7.091	7.474			0.53		636	(853)	848	(1137)	954	(1279)
WAF 573 Continuous Duty						2360	1200 rpm		1600 rpm		1800 rpm *	
6.417					0.59		708	(949)	944	(1266)	1062	(1424)
7.091					0.57		684	(917)	912	(1223)	1026	(1376)
7.474					0.56		672	(901)	896	(1202)	1008	(1352)



WAF 600 – 700 series

					kW/rpm	kg	kW	(BHP)	kW	(BHP)	kW	(BHP)
WAF 665L Continuous Duty						1950	1200 rpm		1600 rpm		1800 rpm *	
2.969	3.536	<i>4.080</i>	<i>4.560</i>	5.043	0.70		840	(1126)	1120	(1502)	1260	(1690)
<i>5.571</i>	5.950											
WAF 665 Continuous Duty						1950	1200 rpm		1600 rpm		1800 rpm *	
2.969	3.536	<i>4.080</i>	<i>4.560</i>	5.043	0.77		924	(1239)	1232	(1652)	1386	(1859)
<i>5.571</i>	5.950											
WAF 675L Continuous Duty						2600	1200 rpm		1600 rpm		1800 rpm *	
6.417	6.739	7.091	7.476		0.70		840	(1126)	1120	(1502)	1260	(1690)
WAF 675 Continuous Duty						2600	1200 rpm		1600 rpm		1800 rpm *	
6.417	6.739	7.091	7.476		0.77		924	(1239)	1232	(1652)	1386	(1859)
WAF 743L Continuous Duty						1800	1200 rpm		1600 rpm		1800 rpm *	
3.038	3.333	3.550	3.952		0.88		1056	(1416)	1408	(1888)	1584	(2124)
WAF 743 Continuous Duty						1800	1200 rpm		1600 rpm		1800 rpm *	
<i>2.714</i>	<i>2.889</i>	3.038	3.333	3.550	0.98		1176	(1577)	1568	(2103)	1764	(2366)
3.952												
WAF 763L Continuous Duty						2300	1200 rpm		1600 rpm		1800 rpm *	
4.625	5.136	5.429	5.750	5.913	0.88		1056	(1416)	1408	(1888)	1584	(2124)
WAF 763 Continuous Duty						2300	1200 rpm		1600 rpm		1800 rpm *	
4.037	4.625	5.136	5.429	5.750	0.98		1176	(1577)	1568	(2103)	1764	(2366)
5.913												



WAF 700 – 800 series

					kW/rpm	kg	kW	(BHP)	kW	(BHP)	kW	(BHP)
WAF 773L Continuous Duty						3200	1200 rpm		1600 rpm		1800 rpm *	
6.154	6.440	7.087	7.454		0.88		1056	(1416)	1408	(1888)	1584	(2124)
WAF 773 Continuous Duty						3200	1200 rpm		1600 rpm		1800 rpm *	
6.154	6.440	7.087	7.454		0.98		1176	(1577)	1568	(2103)	1764	(2366)
WAF 843L Continuous Duty						2300	1200 rpm		1600 rpm		1800 rpm *	
3.080	3.500				1.25		1500	(2012)	2000	(2682)	2250	(3017)
3.905	4.318				1.15		1380	(1851)	1840	(2467)	2070	(2776)
WAF 843 Continuous Duty						2300	1200 rpm		1600 rpm		1800 rpm *	
3.080	3.435	3.500			1.38		1656	(2221)	2208	(2961)	2484	(3331)
3.905					1.37		1654	(2217)	2205	(2957)	2480	(3326)
4.087					1.30		1571	(2106)	2094	(2809)	2356	(3160)
4.318					1.26		1516	(2032)	2021	(2710)	2273	(3049)
WAF 863L Continuous Duty						3100	1200 rpm		1600 rpm		1800 rpm *	
4.038	4.458	4.955			1.25		1500	(2012)	2000	(2682)	2250	(3017)
5.500	5.842				1.15		1380	(1851)	1840	(2467)	2070	(2776)
WAF 863 Continuous Duty						3100	1200 rpm		1600 rpm		1800 rpm *	
4.038	4.458	4.955	5.500	5.842	1.38		1656	(2221)	2208	(2961)	2484	(3331)
WAF 873L Continuous Duty						4100	1200 rpm		1600 rpm		1800 rpm *	
6.440	6.750	7.087			1.25		1500	(2012)	2000	(2682)	2250	(3017)
7.454	7.526				1.15		1380	(1851)	1840	(2467)	2070	(2776)
WAF 873 Continuous Duty						4100	1200 rpm		1600 rpm		1800 rpm *	
6.440	6.750	7.087	7.454	7.526	1.38		1656	(2221)	2208	(2961)	2484	(3331)



WAF 1100 – 1900 series

					kW/rpm	kg	kW (BHP)		kW (BHP)		kW (BHP)	
WAF 1143	Continuous Duty					2750	1200 rpm		1600 rpm		1800 rpm *	
1.966	2.429	3.037	3.500	3.909	1.63	1956	(2623)	2608	(3497)	2934	(3934)	
WAF 1163	Continuous Duty					3600	1200 rpm		1600 rpm		1800 rpm *	
4.296	4.500	4.720	4.958	5.500	1.63	1956	(2623)	2608	(3497)	2934	(3934)	
5.810												
WAF 1173	Continuous Duty					5000	1200 rpm		1600 rpm		1800 rpm *	
6.080	6.696	6.850	7.045	7.429	1.63	1956	(2623)	2608	(3497)	2934	(3934)	
WAF 1543	Continuous Duty					3400	1200 rpm		1300 rpm		1600 rpm *	
2.032	2.467	3.038	3.522	3.857	2.04	2448	(3283)	2652	(3556)	3264	(4377)	
WAF 1563	Continuous Duty					4460	1200 rpm		1300 rpm		1600 rpm *	
3.903	4.429	4.846	5.375	5.954	2.04	2448	(3283)	2652	(3556)	3264	(4377)	
5.444												
6.286												
WAF 1943	Continuous Duty					4460	1200 rpm		1300 rpm		1600 rpm *	
2.059	2.467	2.962	3.522	3.952	2.20	2640	(3540)	2860	(3835)	3520	(4720)	
4.087												
WAF 1963	Continuous Duty					5540	1200 rpm		1300 rpm		1600 rpm *	
4.467	4.857	5.560	5.952	6.130	2.20	2640	(3540)	2860	(3835)	3520	(4720)	
6.300	6.409											



WAF 2300 series

		kW/rpm	kg	kW	(BHP)	kW	(BHP)	kW	(BHP)
WAF 2346	Continuous Duty		6000	750 rpm		1000 rpm		1100 rpm *	
<i>2.077</i>	<i>4.454</i>	2.45		1838	(2464)	2450	(3285)	2695	(3614)
WAF 2355	Continuous Duty		7000	750 rpm		1000 rpm		1100 rpm *	
<i>3.536</i>	<i>5.762</i>	2.45		1838	(2464)	2450	(3285)	2695	(3614)
WAF 2365	Continuous Duty		8000	750 rpm		1000 rpm		1100 rpm *	
<i>5.074</i>	<i>6.455</i>	2.45		1838	(2464)	2450	(3285)	2695	(3614)
WAF 2375	Continuous Duty		10000	750 rpm		1000 rpm		1100 rpm *	
<i>5.958</i>	<i>7.454</i>	2.45		1838	(2464)	2450	(3285)	2695	(3614)



WAF 3400 series

		kW/rpm	kg	kW	(BHP)	kW	(BHP)	kW	(BHP)
WAF 3445	Continuous Duty		7100	600 rpm		900 rpm		1200 rpm *	
<i>2.053</i>	<i>4.524</i>	3.25		1950	(2615)	2925	(3922)	3900	(5230)
WAF 3455	Continuous Duty		8500	600 rpm		900 rpm		1200 rpm *	
<i>4.074</i>		3.25		1950	(2615)	2925	(3922)	3900	(5230)
<i>5.954</i>		3.15		1894	(2539)	2840	(3809)	3787	(5079)
WAF 3465	Continuous Duty		10400	600 rpm		900 rpm		1200 rpm *	
<i>5.077</i>		3.25		1950	(2615)	2925	(3922)	3900	(5230)
<i>6.954</i>		2.96		1779	(2386)	2668	(3578)	3558	(4771)
WAF 3475	Continuous Duty		11500	600 rpm		900 rpm		1200 rpm *	
<i>6.087</i>	<i>7.524</i>	3.25		1950	(2615)	2925	(3922)	3900	(5230)



WAF 4500 series

		kW/rpm	kg	kW	(BHP)	kW	(BHP)	kW	(BHP)
WAF 4545	Continuous Duty		8900	600 rpm		900 rpm		1150 rpm *	
<i>1.591</i>	<i>4.429</i>	3.80		2280	(3057)	3420	(4586)	4370	(5860)
WAF 4555	Continuous Duty		10500	600 rpm		900 rpm		1150 rpm *	
<i>3.960</i>	<i>5.773</i>	3.80		2280	(3057)	3420	(4586)	4370	(5860)
WAF 4566	Continuous Duty		12600	600 rpm		900 rpm		1150 rpm *	
<i>4.955</i>	<i>6.818</i>	3.80		2280	(3057)	3420	(4586)	4370	(5860)
WAF 4575	Continuous Duty		14100	600 rpm		900 rpm		1150 rpm *	
<i>6.120</i>	<i>7.476</i>	3.80		2280	(3057)	3420	(4586)	4370	(5860)



WAF 5600 series

		kW/rpm	kg	kW	(BHP)	kW	(BHP)	kW	(BHP)
WAF 5645	Continuous Duty		11600	600 rpm		900 rpm		1100 rpm *	
<i>1.973</i>	<i>4.550</i>	5.00		3000	(4023)	4500	(6034)	5500	(7376)
WAF 5655	Continuous Duty		13200	600 rpm		900 rpm		1100 rpm *	
<i>4.042</i>		5.00		3000	(4023)	4500	(6034)	5500	(7376)
<i>5.810</i>		4.89		2937	(3939)	4406	(5908)	5384	(7221)
WAF 5666	Continuous Duty		14800	600 rpm		900 rpm		1100 rpm *	
<i>5.044</i>		5.00		3000	(4023)	4500	(6034)	5500	(7376)
<i>6.857</i>		4.79		2875	(3855)	4312	(5782)	5270	(7067)
WAF 5675	Continuous Duty		18000	600 rpm		900 rpm		1100 rpm *	
<i>6.125</i>	<i>7.550</i>	5.00		3000	(4023)	4500	(6034)	5500	(7376)



WAF 6700 series

		kW/rpm	kg	kW	(BHP)	kW	(BHP)	kW	(BHP)
WAF 6745	Continuous Duty		15000	600 rpm		900 rpm		950 rpm *	
<i>2.028</i>	<i>4.450</i>	6.00		3600	(4828)	5400	(7241)	5700	(7644)
WAF 6755	Continuous Duty		17000	600 rpm		900 rpm		950 rpm *	
<i>4.042</i>	<i>5.762</i>	6.00		3600	(4828)	5400	(7241)	5700	(7644)
WAF 6766	Continuous Duty		18000	600 rpm		900 rpm		950 rpm *	
<i>4.960</i>	<i>6.450</i>	6.00		3600	(4828)	5400	(7241)	5700	(7644)



WAF 7700 series

		kW/rpm	kg	kW	(BHP)	kW	(BHP)	kW	(BHP)
WAF 7740	Continuous Duty		17000	600 rpm		750 rpm		900 rpm *	
<i>2.929</i>	<i>4.409</i>	7.87		4722	(6332)	5902	(7915)	7083	(9498)
WAF 7750	Continuous Duty		18000	600 rpm		750 rpm		900 rpm *	
<i>3.107</i>	<i>5.304</i>	7.87		4722	(6332)	5902	(7915)	7083	(9498)
WAF 7760	Continuous Duty		25000	600 rpm		750 rpm		900 rpm *	
<i>5.136</i>	<i>6.476</i>	7.87		4722	(6332)	5902	(7915)	7083	(9498)



WGF 563 series

Reduction ratio	kW/rpm	rpm	kW	(BHP)	rpm	kW	(BHP)	max. rpm	max. kW	(BHP)
WGF 563						Continuous Duty				
						1035 kg				
3.965	0.88	900	796	(1068)	1100	974	(1305)	1400	1239	(1661)
11.674	0.30	1600	482	(646)	2000	602	(807)	2450	737	(989)



WGF 665 series

Reduction ratio	kW/rpm	rpm	kW	(BHP)	rpm	kW	(BHP)	max. rpm	max. kW	(BHP)
WGF 665						Continuous Duty				
						2360 kg				
4.042	1.06	900	955	(1281)	1100	1167	(1565)	1300	1379	(1850)
11.334	0.37	1600	605	(811)	2000	756	(1014)	2450	926	(1242)



WGF 763 series

Reduction ratio	kW/rpm	rpm	kW	(BHP)	rpm	kW	(BHP)	max. rpm	max. kW	(BHP)
WGF 763						Continuous Duty				
						2800 kg				
3.093	1.34	600	805	(1080)	800	1074	(1440)	900	1208	(1620)
11.304	0.43	1600	702	(942)	2000	878	(1177)	2450	1076	(1442)



WGF 863 series

Reduction ratio	kW/rpm	rpm	kW	(BHP)	rpm	kW	(BHP)	max. rpm	max. kW	(BHP)
WGF 863						Continuous Duty				
						3720 kg				
4.080	1.97	800	1581	(2120)	1000	1976	(2650)	1250	2470	(3312)
11.052	0.72	1600	1166	(1564)	2000	1458	(1955)	2450	1786	(2395)



WGF 1563 series

Reduction ratio	kW/rpm	rpm	kW	(BHP)	rpm	kW	(BHP)	max. rpm	max. kW	(BHP)
WGF 1563		Continuous Duty			5960 kg					
3.503	2.50	600	1502	(2015)	800	2003	(2686)	950	2379	(3190)
10.123	1.05	1600	1694	(2272)	2000	2118	(2840)	2400	2542	(3408)



WGF 1963 series

Reduction ratio	kW/rpm	rpm	kW	(BHP)	rpm	kW	(BHP)	max. rpm	max. kW	(BHP)
WGF 1963		Continuous Duty			7400 kg					
3.501	2.50	600	1502	(2015)	800	2003	(2686)	950	2379	(3190)
10.119	1.29	1600	2070	(2776)	2000	2588	(3471)	2400	3106	(4165)



WGF 3455 series

Reduction ratio	kW/rpm	rpm	kW	(BHP)	rpm	kW	(BHP)	max. rpm	max. kW	(BHP)
WGF 3455		Continuous Duty			10000 kg					
4.069	4.37	600	2627	(3523)	800	3503	(4698)	900	3941	(5285)
8.713	2.22	1600	3554	(4765)	1800	3998	(5361)	1950	4331	(5808)



WGF 4566 series

Reduction ratio	kW/rpm	rpm	kW	(BHP)	rpm	kW	(BHP)	max. rpm	max. kW	(BHP)
WGF 4566		Continuous Duty			15000 kg					
4.154	4.20	500	2100	(2816)	600	2520	(3379)	650	2730	(3661)
9.205	2.65	1000	2654	(3559)	1200	3185	(4271)	1400	3716	(4983)



WVS 234 series

				kW/rpm	kg	kW	(BHP)	kW	(BHP)	kW	(BHP)
WVS 234/1	Medium Duty				295	1800 rpm		2100 rpm		2300 rpm *	
1.179	1.500	2.036		0.26		468	(628)	546	(732)	598	(802)
2.542				0.25		450	(603)	525	(704)	575	(771)
2.864				0.24		432	(579)	504	(676)	552	(740)
WVS 234/1	Light Duty				295	1800 rpm		2100 rpm		2300 rpm *	
1.179	1.500	2.036	2.542	0.29		522	(700)	609	(817)	667	(894)
2.864				0.25		466	(625)	544	(729)	596	(799)
WVS 234/1	Pleasure Duty				295	2100 rpm		2200 rpm		2300 rpm *	
1.179	1.500	2.036	2.542	0.29		615	(825)	645	(864)	674	(904)
2.864				0.25		544	(729)	570	(764)	596	(799)



WVS 334 series

				kW/rpm	kg	kW	(BHP)	kW	(BHP)	kW	(BHP)
WVS 334	Medium Duty				340	1800 rpm		2100 rpm		2300 rpm *	
1.122	1.485			0.30		540	(724)	630	(845)	690	(925)
2.037				0.29		522	(700)	609	(817)	667	(894)
2.407	2.538			0.28		504	(676)	588	(789)	644	(864)
2.956				0.27		486	(652)	567	(760)	621	(833)
3.522				0.26		468	(628)	546	(732)	598	(802)
WVS 334	Light Duty				340	1800 rpm		2100 rpm		2300 rpm *	
1.122	1.485			0.36		648	(869)	756	(1014)	828	(1110)
2.037				0.35		630	(845)	735	(986)	805	(1080)
2.407	2.538			0.34		612	(821)	714	(957)	782	(1049)
2.956				0.33		594	(797)	693	(929)	759	(1018)
3.522				0.31		558	(748)	651	(873)	713	(956)
WVS 334	Pleasure Duty				340	2100 rpm		2200 rpm		2300 rpm *	
1.122				0.47		987	(1324)	1034	(1387)	1081	(1450)
1.485	2.037			0.46		966	(1295)	1012	(1357)	1058	(1419)
2.407	2.538			0.45		945	(1267)	990	(1328)	1035	(1388)
2.956				0.38		802	(1076)	840	(1127)	879	(1178)



WVS 334 series

		kW/rpm	kg	kW (BHP)	kW (BHP)	kW (BHP)	kW (BHP)
WVS 334	Pleasure Duty		340	2100 rpm	2200 rpm	2300 rpm *	
3.522		0.32		676 (907)	708 (950)	741 (993)	



WVS 430 series

		kW/rpm	kg	kW (BHP)	kW (BHP)	kW (BHP)	kW (BHP)
WVS 430/1	Medium Duty		490	1800 rpm	2100 rpm	2300 rpm *	
1.485		0.51		918 (1231)	1071 (1436)	1173 (1573)	
2.037		0.50		900 (1207)	1050 (1408)	1150 (1542)	
2.458		0.49		882 (1183)	1029 (1380)	1127 (1511)	
2.773		0.48		864 (1159)	1008 (1352)	1104 (1480)	
2.905		0.47		846 (1134)	987 (1324)	1081 (1450)	
3.286	3.316	0.46		828 (1110)	966 (1295)	1058 (1419)	
3.550		0.43		774 (1038)	903 (1211)	989 (1326)	
WVS 430/1	Light Duty		490	1800 rpm	2100 rpm	2300 rpm *	
1.485	2.037	2.458		1044 (1400)	1218 (1633)	1334 (1789)	
2.773				1026 (1376)	1197 (1605)	1311 (1758)	
2.905				1008 (1352)	1176 (1577)	1288 (1727)	
3.286				880 (1180)	1027 (1377)	1125 (1508)	
3.316				842 (1130)	983 (1318)	1076 (1443)	
3.550				774 (1038)	903 (1211)	989 (1326)	
WVS 430/1	Pleasure Duty		490	2100 rpm	2200 rpm	2300 rpm *	
1.485	2.037	2.458	2.773	1260 (1690)	1320 (1770)	1380 (1851)	
2.905				1176 (1577)	1232 (1652)	1288 (1727)	
3.286				1027 (1377)	1076 (1443)	1125 (1508)	
3.316				983 (1318)	1030 (1381)	1076 (1443)	
3.550				903 (1211)	946 (1269)	989 (1326)	



WVS 730 series

					kW/rpm	kg	kW (BHP)		kW (BHP)		kW (BHP)	
WVS 730/1L Medium Duty						725	1800 rpm		2100 rpm		2300 rpm *	
2.864					0.75		1350	(1810)	1575	(2112)	1725	(2313)
2.036	2.542	3.048			0.70		1260	(1690)	1470	(1971)	1610	(2159)
3.542					0.60		1080	(1448)	1260	(1690)	1380	(1851)
WVS 730/1L Medium Duty						725	1800 rpm		2100 rpm		2300 rpm *	
3.954					0.55		990	(1328)	1155	(1549)	1265	(1696)
WVS 730/1 Medium Duty						725	1800 rpm		2100 rpm		2300 rpm *	
2.036	2.269	2.542	2.864	3.048	0.85		1530	(2052)	1785	(2394)	1955	(2622)
3.542					0.82		1476	(1979)	1722	(2309)	1886	(2529)
3.954					0.76		1373	(1842)	1602	(2149)	1755	(2353)
WVS 730/1L Light Duty						725	1800 rpm		2100 rpm		2300 rpm *	
2.864					0.82		1476	(1979)	1722	(2309)	1886	(2529)
2.036	2.542	3.048			0.70		1260	(1690)	1470	(1971)	1610	(2159)
3.542					0.65		1170	(1569)	1365	(1830)	1495	(2005)
3.954					0.55		990	(1328)	1155	(1549)	1265	(1696)
WVS 730/1 Light Duty						725	1800 rpm		2100 rpm		2300 rpm *	
2.036	2.269	2.542	2.864	3.048	0.92		1656	(2221)	1932	(2591)	2116	(2838)
3.542					0.83		1510	(2025)	1762	(2363)	1930	(2588)
3.954					0.76		1373	(1842)	1602	(2149)	1755	(2353)
WVS 730/1L Pleasure Duty						725	2100 rpm		2200 rpm		2300 rpm *	
2.864					0.85		1785	(2394)	1870	(2508)	1955	(2622)
2.036	2.542	3.048			0.70		1470	(1971)	1540	(2065)	1610	(2159)
3.542					0.65		1365	(1830)	1430	(1918)	1495	(2005)
3.954					0.55		1155	(1549)	1210	(1623)	1265	(1696)
WVS 730/1 Pleasure Duty						725	2100 rpm		2200 rpm		2300 rpm *	
2.036	2.269	2.542	2.864	3.048	0.95		1995	(2675)	2090	(2803)	2185	(2930)
3.542					0.83		1762	(2363)	1846	(2475)	1930	(2588)
3.954					0.76		1602	(2149)	1679	(2251)	1755	(2353)
WVS 732 Super Pleasure Duty						725	2100 rpm		2200 rpm		2300 rpm *	
2.036	2.269	2.542	2.864	3.048	1.03		2163	(2941)	2266	(3081)	2369	(3221)



WVS 930 series

					kW/rpm	kg	kW (BHP)		kW (BHP)		kW (BHP)	
WVS 930/1L Medium Duty					950		1800 rpm		2100 rpm		2300 rpm *	
<i>1.525</i>	<i>2.032</i>	<i>2.482</i>			1.00		1800	(2414)	2100	(2816)	2300	(3084)
<i>3.044</i>					0.98		1764	(2366)	2058	(2760)	2254	(3023)
<i>3.954</i>					0.75		1350	(1810)	1575	(2112)	1725	(2313)
WVS 930/1 Medium Duty					950		1800 rpm		2100 rpm		2300 rpm *	
1.525	1.730	<i>2.032</i>			1.20		2160	(2897)	2520	(3379)	2760	(3701)
2.482					1.18		2124	(2848)	2478	(3323)	2714	(3639)
3.044					1.13		2034	(2728)	2373	(3182)	2599	(3485)
WVS 930/1 Medium Duty					950		1800 rpm		2100 rpm		2300 rpm *	
3.954					1.00		1802	(2416)	2102	(2819)	2302	(3087)
WVS 930/1L Light Duty					950		1800 rpm		2100 rpm		2300 rpm *	
<i>1.525</i>	<i>2.032</i>	<i>2.482</i>	<i>3.044</i>		1.00		1800	(2414)	2100	(2816)	2300	(3084)
<i>3.954</i>					0.80		1440	(1931)	1680	(2253)	1840	(2467)
WVS 930/1 Light Duty					950		1800 rpm		2100 rpm		2300 rpm *	
1.525	1.730	<i>2.032</i>	2.482	3.044	1.28		2304	(3090)	2688	(3605)	2944	(3948)
3.954					1.00		1802	(2416)	2102	(2819)	2302	(3087)
WVS 930/1L Pleasure Duty					950		2100 rpm		2200 rpm		2300 rpm *	
<i>1.525</i>	<i>2.032</i>	<i>2.482</i>	<i>3.044</i>		1.00		2100	(2816)	2200	(2950)	2300	(3084)
<i>3.954</i>					0.80		1680	(2253)	1760	(2360)	1840	(2467)
WVS 930/1 Pleasure Duty					950		2100 rpm		2200 rpm		2300 rpm *	
1.525	1.730	<i>2.032</i>	2.482		1.34		2814	(3774)	2948	(3953)	3082	(4133)
3.044					1.32		2772	(3717)	2904	(3894)	3036	(4071)
3.954					1.00		2102	(2819)	2202	(2953)	2302	(3087)



WVS 1540 series

					kW/rpm	kg	kW	(BHP)	kW	(BHP)	kW	(BHP)
WVS 1540 Medium Duty						1450	1600 rpm		1800 rpm		2100 rpm *	
2.952	3.368	3.947	4.350		1.50		2400	(3218)	2700	(3621)	3150	(4224)
4.632					1.46		2338	(3135)	2630	(3527)	3068	(4114)
WVS 1540 Light Duty						1450	1800 rpm		1950 rpm		2100 rpm *	
2.952	3.368	3.947	4.350		1.50		2700	(3621)	2925	(3922)	3150	(4224)
4.632					1.46		2630	(3527)	2849	(3820)	3068	(4114)
WVS 1540 Pleasure Duty						1450	1800 rpm		1950 rpm		2100 rpm *	
2.952	3.368	3.947	4.350		1.50		2700	(3621)	2925	(3922)	3150	(4224)
4.632					1.46		2630	(3527)	2849	(3820)	3068	(4114)



WVS 1930 series

					kW/rpm	kg	kW	(BHP)	kW	(BHP)	kW	(BHP)
WVS 1930 Medium Duty						1550	1600 rpm		1800 rpm		2100 rpm *	
<i>1.410</i>	<i>2.032</i>	<i>2.458</i>	<i>2.952</i>	<i>3.368</i>	1.85		2960	(3969)	3330	(4466)	3885	(5210)
3.864					1.48		2374	(3184)	2671	(3582)	3116	(4179)
WVS 1930 Light Duty						1550	1800 rpm		1950 rpm		2100 rpm *	
<i>1.410</i>	<i>2.032</i>	<i>2.458</i>	<i>2.952</i>	<i>3.368</i>	1.85		3330	(4466)	3608	(4838)	3885	(5210)
3.864					1.48		2671	(3582)	2894	(3881)	3116	(4179)
WVS 1930 Pleasure Duty						1550	1800 rpm		1950 rpm		2100 rpm *	
<i>1.410</i>	<i>2.032</i>	<i>2.458</i>	<i>2.952</i>	<i>3.368</i>	1.85		3330	(4466)	3608	(4838)	3885	(5210)
3.864					1.48		2671	(3582)	2894	(3881)	3116	(4179)



WVS 2230 series

					kW/rpm	kg	kW	(BHP)	kW	(BHP)	kW	(BHP)
WVS 2230	Medium Duty					2150	1600 rpm		1800 rpm		2100 rpm *	
<i>1.513</i>	<i>2.025</i>	<i>2.414</i>	<i>2.630</i>	<i>2.920</i>	2.35		3760	(5042)	4230	(5672)	4935	(6618)
WVS 2230	Light Duty					2150	1800 rpm		1950 rpm		2100 rpm *	
<i>1.513</i>	<i>2.025</i>	<i>2.414</i>	<i>2.630</i>	<i>2.920</i>	2.45		4410	(5914)	4778	(6407)	5145	(6899)
WVS 2230	Pleasure Duty					2150	1800 rpm		1950 rpm		2100 rpm *	
<i>1.513</i>	<i>2.025</i>	<i>2.414</i>	<i>2.630</i>	<i>2.920</i>	2.51		4518	(6059)	4894	(6564)	5271	(7068)



WVS 2240 series

					kW/rpm	kg	kW	(BHP)	kW	(BHP)	kW	(BHP)
WVS 2240	Medium Duty					2185	1600 rpm		1800 rpm		2100 rpm *	
<i>3.039</i>					2.35		3760	(5042)	4230	(5672)	4935	(6618)
<i>4.130</i>					2.34		3744	(5021)	4212	(5648)	4914	(6590)
WVS 2240	Light Duty					2185	1800 rpm		1950 rpm		2100 rpm *	
<i>3.039</i>	<i>4.130</i>				2.45		4410	(5914)	4778	(6407)	5145	(6899)
WVS 2240	Pleasure Duty					2185	1800 rpm		1950 rpm		2100 rpm *	
<i>3.039</i>	<i>4.130</i>				2.51		4518	(6059)	4894	(6564)	5271	(7068)



WVSFA 442 series

10° between input and output shaft

				kW/rpm	kg	kW	(BHP)	kW	(BHP)	kW	(BHP)
WVSFA 442 Medium Duty				-		1800 rpm		2100 rpm		2300 rpm *	
<i>2.514</i>	<i>2.743</i>			0.50		913	(1224)	1065	(1428)	1166	(1564)
<i>3.003</i>				0.48		877	(1176)	1023	(1371)	1120	(1502)
<i>3.647</i>				0.44		792	(1062)	924	(1239)	1012	(1357)
<i>4.053</i>				0.42		756	(1014)	882	(1183)	966	(1295)
<i>4.537</i>				0.40		711	(953)	830	(1112)	908	(1218)
<i>4.815</i>				0.38		688	(922)	802	(1076)	879	(1178)
WVSFA 442 Light Duty				-		1800 rpm		2100 rpm		2300 rpm *	
<i>2.514</i>	<i>2.743</i>	<i>3.003</i>	<i>3.647</i>	0.56		1019	(1366)	1189	(1594)	1302	(1746)
<i>4.053</i>				0.50		900	(1207)	1050	(1408)	1150	(1542)
<i>4.537</i>				0.42		765	(1026)	892	(1197)	978	(1311)
<i>4.815</i>				0.38		697	(934)	813	(1090)	890	(1194)
WVSFA 442 Pleasure Duty				-		1800 rpm		2100 rpm		2300 rpm *	
<i>2.514</i>	<i>2.743</i>	<i>3.003</i>	<i>3.647</i>	0.58		1053	(1412)	1228	(1647)	1346	(1804)
<i>4.053</i>				0.50		900	(1207)	1050	(1408)	1150	(1542)
<i>4.537</i>				0.42		765	(1026)	892	(1197)	978	(1311)
<i>4.815</i>				0.38		697	(934)	813	(1090)	890	(1194)

				kW/rpm	kg	kW	(BHP)	kW	(BHP)	kW	(BHP)
EF 350	Continuous Duty				695	1600 rpm		1950 rpm		2300 rpm *	
4.190	4.737	5.056		0.34		544	(730)	663	(889)	782	(1049)
EF 370	Continuous Duty				730	1600 rpm		1950 rpm		2300 rpm *	
5.381	6.053	6.444		0.34		544	(730)	663	(889)	782	(1049)
EF 380	Continuous Duty				1205	1600 rpm		1950 rpm		2300 rpm *	
6.714	7.526	8.000		0.34		544	(730)	663	(889)	782	(1049)
EF 450	Continuous Duty				875	1600 rpm		1950 rpm		2300 rpm *	
4.190	4.737	5.056		0.48		768	(1030)	936	(1255)	1104	(1480)
EF 470	Continuous Duty				1145	1600 rpm		1950 rpm		2300 rpm *	
5.381	6.053	6.444		0.48		768	(1030)	936	(1255)	1104	(1480)
EF 480	Continuous Duty				1565	1600 rpm		1950 rpm		2300 rpm *	
6.714	7.526	8.000		0.48		768	(1030)	936	(1255)	1104	(1480)
EF 550	Continuous Duty				1200	1600 rpm		1950 rpm		2300 rpm *	
4.190	4.737	5.056		0.63		1008	(1352)	1228	(1647)	1449	(1943)
EF 570	Continuous Duty				1425	1600 rpm		1950 rpm		2300 rpm *	
5.381	6.053	6.444		0.63		1008	(1352)	1228	(1647)	1449	(1943)
EF 580	Continuous Duty				1850	1600 rpm		1950 rpm		2300 rpm *	
6.714	7.526	8.000		0.63		1008	(1352)	1228	(1647)	1449	(1943)

					kW/rpm	kg	kW	(BHP)	kW	(BHP)	kW	(BHP)
AF 264	Continuous Duty					670	1600 rpm		1800 rpm		2100 rpm *	
3.519	4.083	4.500	4.762		0.29	469	(629)	527	(707)	615	(825)	
3.519	4.083	4.500	4.762		0.29	464	(622)	522	(700)	609	(817)	
5.050					0.27	432	(579)	486	(652)	567	(760)	
5.476					0.26	416	(558)	468	(628)	546	(732)	
5.800					0.24	384	(515)	432	(579)	504	(676)	
AF 344	Continuous Duty					700	1600 rpm		1800 rpm		2100 rpm *	
1.972	2.452	2.963			0.36	576	(772)	648	(869)	756	(1014)	
3.280	3.571				0.33	528	(708)	594	(797)	693	(929)	
4.053					0.31	496	(665)	558	(748)	651	(873)	
AF 364	Continuous Duty					770	1600 rpm		1800 rpm		2100 rpm *	
3.485	3.933	4.481	4.920	5.435	0.36	576	(772)	648	(869)	756	(1014)	
6.048					0.34	544	(730)	612	(821)	714	(957)	
AF 665	Continuous Duty					1700	1200 rpm		1600 rpm		1800 rpm *	
2.969					0.94	1132	(1517)	1509	(2023)	1697	(2276)	
3.536	<i>4.080</i>	<i>4.560</i>	5.043	<i>5.571</i>	0.77	924	(1239)	1232	(1652)	1386	(1859)	
5.950												
AF 743	Continuous Duty					1600	1200 rpm		1600 rpm		1800 rpm *	
<i>2.714</i>	<i>2.889</i>	3.038	3.333	3.550	1.00	1200	(1609)	1600	(2146)	1800	(2414)	
3.952					0.97	1164	(1561)	1552	(2081)	1746	(2341)	
AF 763	Continuous Duty					2100	1200 rpm		1600 rpm		1800 rpm *	
4.037	4.625	5.136	5.429	5.750	1.00	1200	(1609)	1600	(2146)	1800	(2414)	
5.913					0.97	1164	(1561)	1552	(2081)	1746	(2341)	
AF 843	Continuous Duty					2200	1200 rpm		1600 rpm		1800 rpm *	
3.080	3.435	3.500			1.45	1740	(2333)	2320	(3111)	2610	(3500)	
3.905					1.38	1656	(2221)	2208	(2961)	2484	(3331)	
4.087	4.318				1.27	1524	(2044)	2032	(2725)	2286	(3066)	
AF 863	Continuous Duty					2900	1200 rpm		1600 rpm		1800 rpm *	
4.038	4.458	4.955			1.45	1740	(2333)	2320	(3111)	2610	(3500)	
5.500	5.842				1.38	1656	(2221)	2208	(2961)	2484	(3331)	



AF 873 series

			kW/rpm	kg	kW	(BHP)	kW	(BHP)	kW	(BHP)
AF 873	Continuous Duty			3800	1200 rpm		1600 rpm		1800 rpm *	
6.440	6.750	7.087	1.45		1740	(2333)	2320	(3111)	2610	(3500)
7.454	7.526		1.38		1656	(2221)	2208	(2961)	2484	(3331)



AF 1100 - 1500 series

			kW/rpm	kg	kW	(BHP)	kW	(BHP)	kW	(BHP)
AF 1143	Continuous Duty			2200	1200 rpm		1600 rpm		1800 rpm *	
<i>1.966</i>	<i>2.429</i>	<i>3.037</i>	1.70		2040	(2736)	2720	(3648)	3060	(4103)
3.500			1.60		1920	(2575)	2560	(3433)	2880	(3862)
<i>3.909</i>			1.48		1776	(2382)	2368	(3175)	2664	(3572)
AF 1163	Continuous Duty			3150	1200 rpm		1600 rpm		1800 rpm *	
<i>4.500</i>	<i>4.720</i>	<i>4.958</i>	1.70		2040	(2736)	2720	(3648)	3060	(4103)
5.500			1.53		1836	(2462)	2448	(3283)	2754	(3693)
<i>5.810</i>			1.45		1740	(2333)	2320	(3111)	2610	(3500)
AF 1173	Continuous Duty			3300	1200 rpm		1600 rpm		1800 rpm *	
6.080			1.70		2040	(2736)	2720	(3648)	3060	(4103)
<i>6.696</i>			1.63		1956	(2623)	2608	(3497)	2934	(3934)
<i>6.850</i>	<i>7.045</i>	7.429	1.50		1800	(2414)	2400	(3218)	2700	(3621)
AF 1543	Continuous Duty			3200	1200 rpm		1300 rpm		1600 rpm *	
<i>2.032</i>	<i>2.467</i>	<i>3.038</i>	2.10		2520	(3379)	2730	(3661)	3360	(4506)
<i>3.522</i>	3.857		1.90		2280	(3057)	2470	(3312)	3040	(4077)
AF 1563	Continuous Duty			4300	1200 rpm		1300 rpm		1600 rpm *	
<i>4.429</i>	<i>4.846</i>		2.10		2520	(3379)	2730	(3661)	3360	(4506)
<i>5.375</i>	5.444	<i>5.954</i>	1.80		2160	(2897)	2340	(3138)	2880	(3862)



AF 2300 series

		kW/rpm	kg	kW	(BHP)	kW	(BHP)	kW	(BHP)
AF 2365	Continuous Duty		7800	750 rpm		1000 rpm		1100 rpm *	
<i>5.074</i>		3.45		2588	(3470)	3450	(4626)	3795	(5089)
<i>6.455</i>		2.81		2108	(2826)	2810	(3768)	3091	(4145)
AF 2375	Continuous Duty		8500	750 rpm		1000 rpm		1100 rpm *	
<i>5.958</i>		3.32		2490	(3339)	3320	(4452)	3652	(4897)
<i>7.454</i>		2.81		2108	(2826)	2810	(3768)	3091	(4145)



LF series

				kW/rpm	kg	kW	(BHP)	kW	(BHP)	kW	(BHP)
LF 350	Continuous Duty				695	1600 rpm		1950 rpm		2300 rpm *	
4.190	4.737	5.056		0.34		544	(730)	663	(889)	782	(1049)
LF 370	Continuous Duty				730	1600 rpm		1950 rpm		2300 rpm *	
5.381	6.053	6.444		0.34		544	(730)	663	(889)	782	(1049)
LF 380	Continuous Duty				1205	1600 rpm		1950 rpm		2300 rpm *	
6.714	7.526	8.000		0.34		544	(730)	663	(889)	782	(1049)
LF 450	Continuous Duty				875	1600 rpm		1950 rpm		2300 rpm *	
4.190	4.737	5.056		0.48		768	(1030)	936	(1255)	1104	(1480)
LF 470	Continuous Duty				1145	1600 rpm		1950 rpm		2300 rpm *	
5.381	6.053	6.444		0.48		768	(1030)	936	(1255)	1104	(1480)
LF 480	Continuous Duty				1565	1600 rpm		1950 rpm		2300 rpm *	
6.714	7.526	8.000		0.48		768	(1030)	936	(1255)	1104	(1480)
LF 550	Continuous Duty				1200	1600 rpm		1950 rpm		2300 rpm *	
4.190	4.737	5.056		0.63		1008	(1352)	1228	(1647)	1449	(1943)
LF 570	Continuous Duty				1425	1600 rpm		1950 rpm		2300 rpm *	
5.381	6.053	6.444		0.63		1008	(1352)	1228	(1647)	1449	(1943)
LF 580	Continuous Duty				1850	1600 rpm		1950 rpm		2300 rpm *	
6.714	7.526	8.000		0.63		1008	(1352)	1228	(1647)	1449	(1943)



LAF 543 series

				kW/rpm	kg	kW	(BHP)	kW	(BHP)	kW	(BHP)
LAF 543L Continuous Duty					925	1600 rpm		1800 rpm		2100 rpm *	
2.542	2.960	3.542	3.955	0.53		848	(1137)	954	(1279)	1113	(1493)
4.450				0.49		784	(1051)	882	(1183)	1029	(1380)
LAF 543 Continuous Duty					925	1600 rpm		1800 rpm		2100 rpm *	
2.542	2.960	3.542		0.57		912	(1223)	1026	(1376)	1197	(1605)
3.955				0.55		880	(1180)	990	(1328)	1155	(1549)
4.450				0.49		784	(1051)	882	(1183)	1029	(1380)



LAF 563 series

				kW/rpm	kg	kW	(BHP)	kW	(BHP)	kW	(BHP)
LAF 563L Continuous Duty					1325	1600 rpm		1800 rpm		2100 rpm *	
4.545	5.050	5.421		0.57		912	(1223)	1026	(1376)	1197	(1605)
5.947				0.53		848	(1137)	954	(1279)	1113	(1493)
LAF 563 Continuous Duty					1325	1600 rpm		1800 rpm		2100 rpm *	
4.545	5.050	5.421		0.59		944	(1266)	1062	(1424)	1239	(1661)
5.947				0.55		880	(1180)	990	(1328)	1155	(1549)



LAF 573 series

				kW/rpm	kg	kW	(BHP)	kW	(BHP)	kW	(BHP)
LAF 573L Continuous Duty					2190	1200 rpm		1600 rpm		1800 rpm *	
6.417	7.091	7.474		0.53		636	(853)	848	(1137)	954	(1279)
LAF 573 Continuous Duty					2190	1200 rpm		1600 rpm		1800 rpm *	
6.417	7.091			0.57		684	(917)	912	(1223)	1026	(1376)
7.474				0.56		672	(901)	896	(1202)	1008	(1352)



LAF 600 – 800 series

					kW/rpm	kg	kW	(BHP)	kW	(BHP)	kW	(BHP)
LAF 665L	Continuous Duty					1800	1200 rpm		1600 rpm		1800 rpm *	
2.969	3.536	<i>4.080</i>	<i>4.560</i>	5.043	0.70		840	(1126)	1120	(1502)	1260	(1690)
<i>5.571</i>	5.950											
LAF 665	Continuous Duty					1800	1200 rpm		1600 rpm		1800 rpm *	
2.969	3.536	<i>4.080</i>	<i>4.560</i>	5.043	0.77		924	(1239)	1232	(1652)	1386	(1859)
<i>5.571</i>	5.950											
LAF 675L	Continuous Duty					2450	1200 rpm		1600 rpm		1800 rpm *	
6.417	6.739	7.091	7.476		0.70		840	(1126)	1120	(1502)	1260	(1690)
LAF 675	Continuous Duty					2450	1200 rpm		1600 rpm		1800 rpm *	
6.417	6.739	7.091	7.476		0.77		924	(1239)	1232	(1652)	1386	(1859)
LAF 743L	Continuous Duty					1600	1200 rpm		1600 rpm		1800 rpm *	
3.038	3.333	3.550	3.952		0.88		1056	(1416)	1408	(1888)	1584	(2124)
LAF 743	Continuous Duty					1600	1200 rpm		1600 rpm		1800 rpm *	
<i>2.714</i>	<i>2.889</i>	3.038	3.333	3.550	1.15		1380	(1851)	1840	(2467)	2070	(2776)
3.952					1.10		1320	(1770)	1760	(2360)	1980	(2655)
LAF 763L	Continuous Duty					2100	1200 rpm		1600 rpm		1800 rpm *	
4.625	5.136	5.429	5.750	5.913	0.88		1056	(1416)	1408	(1888)	1584	(2124)
LAF 763	Continuous Duty					2100	1200 rpm		1600 rpm		1800 rpm *	
4.625					1.15		1380	(1851)	1840	(2467)	2070	(2776)
4.037					1.14		1378	(1847)	1837	(2463)	2066	(2771)
5.136					1.12		1355	(1817)	1806	(2422)	2032	(2725)
5.429					1.08		1296	(1738)	1728	(2317)	1944	(2607)
5.913					1.03		1236	(1657)	1648	(2210)	1854	(2486)
5.750					1.01		1219	(1635)	1626	(2180)	1829	(2452)
LAF 773L	Continuous Duty					3000	1200 rpm		1600 rpm		1800 rpm *	
6.154	6.440	7.087	7.454		0.88		1056	(1416)	1408	(1888)	1584	(2124)
LAF 773	Continuous Duty					3000	1200 rpm		1600 rpm		1800 rpm *	
6.154	6.440	7.087			1.15		1380	(1851)	1840	(2467)	2070	(2776)
7.454					1.12		1345	(1804)	1794	(2405)	2018	(2706)
LAF 843L	Continuous Duty					2640	1200 rpm		1600 rpm		1800 rpm *	
3.080	3.500				1.25		1500	(2012)	2000	(2682)	2250	(3017)



LAF 800 series

		kW/rpm	kg	kW	(BHP)	kW	(BHP)	kW	(BHP)	
LAF 843L Continuous Duty			2640	1200 rpm		1600 rpm		1800 rpm *		
3.905	4.318	1.15		1380	(1851)	1840	(2467)	2070	(2776)	
LAF 843 Continuous Duty			2640	1200 rpm		1600 rpm		1800 rpm *		
3.080	3.435	1.45		1740	(2333)	2320	(3111)	2610	(3500)	
3.500		1.42		1714	(2298)	2285	(3064)	2570	(3447)	
3.905		1.37		1654	(2217)	2205	(2957)	2480	(3326)	
4.087		1.30		1571	(2106)	2094	(2809)	2356	(3160)	
4.318		1.26		1516	(2032)	2021	(2710)	2273	(3049)	
LAF 863L Continuous Duty			2850	1200 rpm		1600 rpm		1800 rpm *		
4.038	4.458	4.955	1.25	1500	(2012)	2000	(2682)	2250	(3017)	
5.500	5.842		1.15	1380	(1851)	1840	(2467)	2070	(2776)	
LAF 863 Continuous Duty			2850	1200 rpm		1600 rpm		1800 rpm *		
4.038	4.458	4.955	5.500	1.45	1740	(2333)	2320	(3111)	2610	(3500)
5.842				1.43	1723	(2311)	2298	(3081)	2585	(3466)
LAF 873L Continuous Duty			3850	1200 rpm		1600 rpm		1800 rpm *		
6.440	6.750	7.087	1.25	1500	(2012)	2000	(2682)	2250	(3017)	
7.454	7.526		1.15	1380	(1851)	1840	(2467)	2070	(2776)	
LAF 873 Continuous Duty			3850	1200 rpm		1600 rpm		1800 rpm *		
6.440	6.750	7.087	1.45	1740	(2333)	2320	(3111)	2610	(3500)	
7.454			1.40	1674	(2245)	2232	(2993)	2511	(3367)	
7.526			1.38	1658	(2224)	2211	(2965)	2488	(3336)	



LAF 1100 – 1900 series

LAF 1143	Continuous Duty				2450	1200 rpm		1600 rpm		1800 rpm *		
1.966	2.429	3.037	3.500	1.85	2220	(2977)	2960	(3969)	3330	(4466)		
3.909				1.72	2068	(2773)	2757	(3697)	3101	(4159)		
LAF 1163	Continuous Duty				3300	1200 rpm		1600 rpm		1800 rpm *		
4.296	4.500	4.958	5.500	1.85	2220	(2977)	2960	(3969)	3330	(4466)		
5.810				1.79	2148	(2880)	2864	(3841)	3222	(4321)		
LAF 1173	Continuous Duty				4600	1200 rpm		1600 rpm		1800 rpm *		
6.080	6.696	7.045		1.85	2220	(2977)	2960	(3969)	3330	(4466)		
7.429				1.80	2171	(2911)	2894	(3881)	3256	(4367)		
LAF 1543	Continuous Duty				3000	1200 rpm		1500 rpm		1600 rpm *		
2.032	2.467	3.038	3.522	2.10	2520	(3379)	3150	(4224)	3360	(4506)		
3.857				2.09	2514	(3371)	3143	(4214)	3352	(4495)		
LAF 1563	Continuous Duty				4000	1200 rpm		1500 rpm		1600 rpm *		
3.903	4.429	4.846	5.375	2.10	2520	(3379)	3150	(4224)	3360	(4506)		
5.954				2.04	2455	(3292)	3069	(4116)	3274	(4390)		
5.444				1.98	2376	(3186)	2970	(3983)	3168	(4248)		
6.286				1.95	2341	(3140)	2926	(3924)	3122	(4186)		
LAF 1943	Continuous Duty					4060	1200 rpm		1500 rpm		1600 rpm *	
2.059	2.467	2.962	3.522	3.952	2.60	3120	(4184)	3900	(5230)	4160	(5579)	
4.087												
LAF 1963	Continuous Duty					4940	1200 rpm		1500 rpm		1600 rpm *	
4.467	4.857	5.560	5.952	6.130	2.60	3120	(4184)	3900	(5230)	4160	(5579)	
6.300												
6.409					2.55	3068	(4115)	3836	(5143)	4091	(5486)	



LAF 2300 series

		kW/rpm	kg	kW	(BHP)	kW	(BHP)	kW	(BHP)
LAF 2346	Continuous Duty		5300	750 rpm		1000 rpm		1100 rpm *	
2.077		3.40		2550	(3420)	3400	(4559)	3740	(5015)
4.454		2.94		2212	(2966)	2949	(3955)	3244	(4350)
LAF 2355	Continuous Duty		6300	750 rpm		1000 rpm		1100 rpm *	
3.536		3.40		2550	(3420)	3400	(4559)	3740	(5015)
5.762		2.68		2010	(2695)	2680	(3594)	2948	(3953)
LAF 2365	Continuous Duty		7200	750 rpm		1000 rpm		1100 rpm *	
5.074		3.40		2550	(3420)	3400	(4559)	3740	(5015)
6.455		2.94		2206	(2959)	2942	(3945)	3236	(4340)
LAF 2375	Continuous Duty		9200	750 rpm		1000 rpm		1100 rpm *	
5.958		3.40		2550	(3420)	3400	(4559)	3740	(5015)
7.454		2.89		2168	(2908)	2891	(3877)	3180	(4265)



LAF 3400 series

		kW/rpm	kg	kW	(BHP)	kW	(BHP)	kW	(BHP)
LAF 3445	Continuous Duty		6400	600 rpm		900 rpm		1200 rpm *	
2.053		4.35		2610	(3500)	3915	(5250)	5220	(7000)
4.524		3.76		2257	(3027)	3386	(4540)	4514	(6054)
LAF 3465	Continuous Duty		9700	600 rpm		900 rpm		1200 rpm *	
5.077		4.35		2610	(3500)	3915	(5250)	5220	(7000)
6.954		2.96		1779	(2386)	2668	(3578)	3558	(4771)
LAF 3455	Continuous Duty		7800	600 rpm		900 rpm		1200 rpm *	
4.074		4.35		2610	(3500)	3915	(5250)	5220	(7000)
5.954		3.15		1894	(2539)	2840	(3809)	3787	(5079)
LAF 3475	Continuous Duty		10800	600 rpm		900 rpm		1200 rpm *	
6.087		4.35		2610	(3500)	3915	(5250)	5220	(7000)
7.524		3.59		2159	(2895)	3238	(4342)	4318	(5790)



LAF 4500 series

		kW/rpm	kg	kW	(BHP)	kW	(BHP)	kW	(BHP)
LAF 4545	Continuous Duty		8000	600 rpm		900 rpm		1200 rpm *	
1.591		5.50		3300	(4425)	4950	(6638)	6600	(8851)
4.429		4.42		2653	(3558)	3980	(5337)	5306	(7116)
LAF 4555	Continuous Duty		9500	600 rpm		900 rpm		1200 rpm *	
3.960		5.50		3300	(4425)	4950	(6638)	6600	(8851)
5.773		4.04		2426	(3254)	3640	(4881)	4853	(6508)
LAF 4566	Continuous Duty		11100	600 rpm		900 rpm		1200 rpm *	
6.818		3.86		2321	(3112)	3481	(4668)	4642	(6224)
LAF 4575	Continuous Duty		13100	600 rpm		900 rpm		1200 rpm *	
6.120		5.21		3128	(4195)	4693	(6293)	6257	(8390)
7.476		4.32		2593	(3477)	3890	(5216)	5186	(6955)



LAF 5600 series

		kW/rpm	kg	kW	(BHP)	kW	(BHP)	kW	(BHP)
LAF 5645	Continuous Duty		10600	600 rpm		900 rpm		1200 rpm *	
1.973		7.00		4200	(5632)	6300	(8448)	8400	(11264)
4.550		5.59		3359	(4505)	5039	(6757)	6719	(9010)
LAF 5655	Continuous Duty		12200	600 rpm		900 rpm		1200 rpm *	
4.042		7.00		4200	(5632)	6300	(8448)	8400	(11264)
5.810		4.89		2937	(3939)	4406	(5908)	5874	(7877)
LAF 5666	Continuous Duty		13800	600 rpm		900 rpm		1200 rpm *	
5.044		6.99		4198	(5629)	6296	(8443)	8395	(11258)
6.857		4.79		2875	(3855)	4312	(5782)	5749	(7710)
LAF 5675	Continuous Duty		17000	600 rpm		900 rpm		1200 rpm *	
6.125		6.71		4026	(5399)	6039	(8098)	8052	(10798)
7.550		5.58		3353	(4496)	5029	(6744)	6706	(8992)



LAF 6700 series

		kW/rpm	kg	kW	(BHP)	kW	(BHP)	kW	(BHP)
LAF 6745	Continuous Duty		14000	600 rpm		900 rpm		1150 rpm *	
2.028		8.40		5040	(6759)	7560	(10138)	9660	(12954)
4.450		6.56		3940	(5284)	5910	(7926)	7552	(10127)
LAF 6755	Continuous Duty		16000	600 rpm		900 rpm		1150 rpm *	
4.042		8.40		5040	(6759)	7560	(10138)	9660	(12954)
5.762		6.17		3703	(4965)	5554	(7448)	7097	(9517)
LAF 6766	Continuous Duty		17000	600 rpm		900 rpm		1150 rpm *	
4.960		8.18		4910	(6585)	7366	(9877)	9412	(12621)
6.450		6.54		3927	(5266)	5890	(7899)	7527	(10093)



LAF 7700 series

		kW/rpm	kg	kW	(BHP)	kW	(BHP)	kW	(BHP)
LAF 7740	Continuous Duty		16000	600 rpm		900 rpm		1150 rpm *	
2.929		11.00		6600	(8851)	9900	(13276)	12650	(16964)
LAF 7740	Continuous Duty		16000	600 rpm		900 rpm		1150 rpm *	
4.409		8.77		5267	(7064)	7901	(10595)	10096	(13539)
LAF 7750	Continuous Duty		17000	600 rpm		900 rpm		1150 rpm *	
3.107		11.00		6600	(8851)	9900	(13276)	12650	(16964)
5.304		7.91		4746	(6364)	7119	(9547)	9096	(12198)
LAF 7760	Continuous Duty		23500	600 rpm		900 rpm		1150 rpm *	
5.136		10.84		6508	(8727)	9761	(13090)	12473	(16726)
6.476		7.97		4787	(6419)	7180	(9629)	9175	(12303)



WLS 234 series

				kW/rpm	kg	kW	(BHP)	kW	(BHP)	kW	(BHP)
WLS 234/1	Medium Duty				295	1800 rpm		2100 rpm		2300 rpm *	
1.179	1.500	2.036		0.26		468	(628)	546	(732)	598	(802)
2.542				0.25		450	(603)	525	(704)	575	(771)
2.864				0.24		432	(579)	504	(676)	552	(740)
WLS 234/1	Light Duty				295	1800 rpm		2100 rpm		2300 rpm *	
1.179	1.500	2.036	2.542	0.29		522	(700)	609	(817)	667	(894)
2.864				0.25		466	(625)	544	(729)	596	(799)
WLS 234/1	Pleasure Duty				295	2100 rpm		2200 rpm		2300 rpm *	
1.179	1.500	2.036	2.542	0.29		615	(825)	645	(864)	674	(904)
2.864				0.25		544	(729)	570	(764)	596	(799)



WLS 334 series

				kW/rpm	kg	kW	(BHP)	kW	(BHP)	kW	(BHP)
WLS 334	Medium Duty				340	1800 rpm		2100 rpm		2300 rpm *	
1.122	1.485			0.30		540	(724)	630	(845)	690	(925)
2.037				0.29		522	(700)	609	(817)	667	(894)
2.407	2.538			0.28		504	(676)	588	(789)	644	(864)
2.956				0.27		486	(652)	567	(760)	621	(833)
3.522				0.26		468	(628)	546	(732)	598	(802)
WLS 334	Light Duty				340	1800 rpm		2100 rpm		2300 rpm *	
1.122	1.485			0.36		648	(869)	756	(1014)	828	(1110)
2.037				0.35		630	(845)	735	(986)	805	(1080)
2.407	2.538			0.34		612	(821)	714	(957)	782	(1049)
2.956				0.33		594	(797)	693	(929)	759	(1018)
3.522				0.31		558	(748)	651	(873)	713	(956)
WLS 334	Pleasure Duty				340	2100 rpm		2200 rpm		2300 rpm *	
1.122				0.47		987	(1324)	1034	(1387)	1081	(1450)
1.485	2.037			0.46		966	(1295)	1012	(1357)	1058	(1419)
2.407	2.538			0.45		945	(1267)	990	(1328)	1035	(1388)
2.956				0.38		802	(1076)	840	(1127)	879	(1178)



WLS 334 series

		kW/rpm	kg	kW	(BHP)	kW	(BHP)	kW	(BHP)
WLS 334	Pleasure Duty		340	2100 rpm		2200 rpm		2300 rpm *	
3.522		0.32		676	(907)	708	(950)	741	(993)



WLS 430 series

		kW/rpm	kg	kW	(BHP)	kW	(BHP)	kW	(BHP)
WLS 430/1	Medium Duty		490	1800 rpm		2100 rpm		2300 rpm *	
1.485		0.51		918	(1231)	1071	(1436)	1173	(1573)
2.037		0.50		900	(1207)	1050	(1408)	1150	(1542)
2.458		0.49		882	(1183)	1029	(1380)	1127	(1511)
2.773		0.48		864	(1159)	1008	(1352)	1104	(1480)
2.905		0.47		846	(1134)	987	(1324)	1081	(1450)
3.286	3.316	0.46		828	(1110)	966	(1295)	1058	(1419)
3.550		0.43		774	(1038)	903	(1211)	989	(1326)
WLS 430/1	Light Duty		490	1800 rpm		2100 rpm		2300 rpm *	
1.485	2.037	2.458		1044	(1400)	1218	(1633)	1334	(1789)
2.773				1026	(1376)	1197	(1605)	1311	(1758)
2.905				1008	(1352)	1176	(1577)	1288	(1727)
3.286				880	(1180)	1027	(1377)	1125	(1508)
3.316				842	(1130)	983	(1318)	1076	(1443)
3.550				774	(1038)	903	(1211)	989	(1326)
WLS 430/1	Pleasure Duty		490	2100 rpm		2200 rpm		2300 rpm *	
1.485	2.037	2.458	2.773	1260	(1690)	1320	(1770)	1380	(1851)
2.905				1176	(1577)	1232	(1652)	1288	(1727)
3.286				1027	(1377)	1076	(1443)	1125	(1508)
3.316				983	(1318)	1030	(1381)	1076	(1443)
3.550				903	(1211)	946	(1269)	989	(1326)



WLS 730 series

				kW/rpm	kg	kW	(BHP)	kW	(BHP)	kW	(BHP)
WLS 730/1L Medium Duty					725	1800 rpm		2100 rpm		2300 rpm *	
2.036	2.542	3.048		0.70		1260	(1690)	1470	(1971)	1610	(2159)
3.542				0.60		1080	(1448)	1260	(1690)	1380	(1851)
3.954				0.55		990	(1328)	1155	(1549)	1265	(1696)
WLS 730/1 Medium Duty					725	1800 rpm		2100 rpm		2300 rpm *	
2.036	2.269	2.542	<i>3.048</i>	0.85		1530	(2052)	1785	(2394)	1955	(2622)
3.542				0.82		1476	(1979)	1722	(2309)	1886	(2529)
3.954				0.76		1373	(1842)	1602	(2149)	1755	(2353)
WLS 730/1L Light Duty					725	1800 rpm		2100 rpm		2300 rpm *	
2.036	2.542	3.048		0.70		1260	(1690)	1470	(1971)	1610	(2159)
3.542				0.65		1170	(1569)	1365	(1830)	1495	(2005)
3.954				0.55		990	(1328)	1155	(1549)	1265	(1696)
WLS 730/1 Light Duty					725	1800 rpm		2100 rpm		2300 rpm *	
2.036	2.269	2.542	<i>3.048</i>	0.92		1656	(2221)	1932	(2591)	2116	(2838)
3.542				0.83		1510	(2025)	1762	(2363)	1930	(2588)
3.954				0.76		1373	(1842)	1602	(2149)	1755	(2353)
WLS 730/1L Pleasure Duty					725	2100 rpm		2200 rpm		2300 rpm *	
2.036	2.542	3.048		0.70		1470	(1971)	1540	(2065)	1610	(2159)
3.542				0.65		1365	(1830)	1430	(1918)	1495	(2005)
3.954				0.55		1155	(1549)	1210	(1623)	1265	(1696)
WLS 730/1 Pleasure Duty					725	2100 rpm		2200 rpm		2300 rpm *	
2.036	2.269	2.542	<i>3.048</i>	0.95		1995	(2675)	2090	(2803)	2185	(2930)
3.542				0.83		1762	(2363)	1846	(2475)	1930	(2588)
3.954				0.76		1602	(2149)	1679	(2251)	1755	(2353)



WLS 930 series

				kW/rpm	kg	kW	(BHP)	kW	(BHP)	kW	(BHP)
WLS 930/1L Medium Duty					950	1800 rpm		2100 rpm		2300 rpm *	
1.525	2.032	2.482		1.00		1800	(2414)	2100	(2816)	2300	(3084)
3.044				0.98		1764	(2366)	2058	(2760)	2254	(3023)
3.954				0.75		1350	(1810)	1575	(2112)	1725	(2313)
WLS 930/1 Medium Duty					950	1800 rpm		2100 rpm		2300 rpm *	
1.525	1.730	2.032		1.20		2160	(2897)	2520	(3379)	2760	(3701)
2.482				1.18		2124	(2848)	2478	(3323)	2714	(3639)
3.044				1.13		2034	(2728)	2373	(3182)	2599	(3485)
3.954				1.00		1802	(2416)	2102	(2819)	2302	(3087)
WLS 930/1L Light Duty					950	1800 rpm		2100 rpm		2300 rpm *	
1.525	2.032	2.482	3.044	1.00		1800	(2414)	2100	(2816)	2300	(3084)
3.954				0.80		1440	(1931)	1680	(2253)	1840	(2467)
WLS 930/1 Light Duty					950	1800 rpm		2100 rpm		2300 rpm *	
1.525	1.730	2.032	2.482	3.044	1.28	2304	(3090)	2688	(3605)	2944	(3948)
3.954					1.00	1802	(2416)	2102	(2819)	2302	(3087)
WLS 930/1L Pleasure Duty					950	2100 rpm		2200 rpm		2300 rpm *	
1.525	2.032	2.482	3.044	1.00		2100	(2816)	2200	(2950)	2300	(3084)
3.954				0.80		1680	(2253)	1760	(2360)	1840	(2467)
WLS 930/1 Pleasure Duty					950	2100 rpm		2200 rpm		2300 rpm *	
1.525	1.730	2.032	2.482	1.34		2814	(3774)	2948	(3953)	3082	(4133)
3.044				1.32		2772	(3717)	2904	(3894)	3036	(4071)
3.954				1.00		2102	(2819)	2202	(2953)	2302	(3087)



WLS 1540 series

					kW/rpm	kg	kW	(BHP)	kW	(BHP)	kW	(BHP)
WLS 1540	Medium Duty					1450	1600 rpm		1800 rpm		2300 rpm *	
2.952	3.368	3.947	4.350		1.50	2400	(3218)	2700	(3621)	3450	(4626)	
4.632					1.46	2338	(3135)	2630	(3527)	3360	(4506)	
WLS 1540	Light Duty					1450	1800 rpm		1950 rpm		2300 rpm *	
2.952	3.368	3.947	4.350		1.50	2700	(3621)	2925	(3922)	3450	(4626)	
4.632					1.46	2630	(3527)	2849	(3820)	3360	(4506)	



WLS 1930 series

					kW/rpm	kg	kW	(BHP)	kW	(BHP)	kW	(BHP)
WLS 1930	Medium Duty					1550	1600 rpm		1800 rpm		2300 rpm *	
1.410	2.032	2.458	2.952	3.368	1.85	2960	(3969)	3330	(4466)	4255	(5706)	
3.864					1.48	2374	(3184)	2671	(3582)	3413	(4577)	
WLS 1930	Light Duty					1550	1800 rpm		1950 rpm		2300 rpm *	
1.410	2.032	2.458	2.952	3.368	1.85	3330	(4466)	3608	(4838)	4255	(5706)	
3.864					1.48	2671	(3582)	2894	(3881)	3413	(4577)	



VLJ 430 series

					kW/rpm	kg	kW	(BHP)	kW	(BHP)	kW	(BHP)
VLJ 430	Medium Duty					360	1600 rpm		1800 rpm		2200 rpm *	
1.306	2.037	2.458			0.52	832	(1116)	936	(1255)	1144	(1534)	
2.905					0.47	752	(1008)	846	(1134)	1034	(1387)	
VLJ 430	Light Duty					360	1800 rpm		2100 rpm		2300 rpm *	
1.306	2.037	2.458			0.58	1044	(1400)	1218	(1633)	1334	(1789)	
2.905					0.56	1008	(1352)	1176	(1577)	1288	(1727)	
VLJ 430	Pleasure Duty					360	1800 rpm		2100 rpm		2300 rpm *	
1.306	2.037	2.458			0.60	1080	(1448)	1260	(1690)	1380	(1851)	
2.905					0.56	1008	(1352)	1176	(1577)	1288	(1727)	



VLJ 730 series

					kW/rpm	kg	kW	(BHP)	kW	(BHP)	kW	(BHP)
VLJ 730/1 Medium Duty						560	1600 rpm		1800 rpm		2200 rpm *	
1.539	2.036	2.269	2.542		0.75		1200	(1609)	1350	(1810)	1650	(2213)
3.048					0.71		1136	(1523)	1278	(1714)	1562	(2095)
VLJ 730/1 Light Duty						560	1800 rpm		2100 rpm		2300 rpm *	
1.539	2.036	2.269	2.542		0.92		1656	(2221)	1932	(2591)	2116	(2838)
3.048					0.84		1512	(2028)	1764	(2366)	1932	(2591)
VLJ 730/1 Pleasure Duty						560	1800 rpm		2100 rpm		2300 rpm *	
1.539	2.036	2.269	2.542	3.048	0.95		1710	(2293)	1995	(2675)	2185	(2930)



VLJ 930 series

					kW/rpm	kg	kW	(BHP)	kW	(BHP)	kW	(BHP)
VLJ 930/1 Medium Duty						740	1600 rpm		1800 rpm		2200 rpm *	
1.186	1.525	1.725	1.806	1.849	1.10		1760	(2360)	1980	(2655)	2420	(3245)
2.032												
2.357	2.482				1.05		1680	(2253)	1890	(2534)	2310	(3098)
3.044					0.89		1424	(1910)	1602	(2148)	1958	(2626)
VLJ 930/1 Light Duty						740	1800 rpm		2100 rpm		2300 rpm *	
1.186	1.525	1.725	1.806	1.849	1.26		2268	(3041)	2646	(3548)	2898	(3886)
2.032												
2.357	2.482				1.22		2196	(2945)	2562	(3436)	2806	(3763)
3.044					1.05		1890	(2534)	2205	(2957)	2415	(3239)
VLJ 930/1 Pleasure Duty						740	1800 rpm		2100 rpm		2300 rpm *	
1.186	1.525	1.725	1.806	1.849	1.29		2322	(3114)	2709	(3633)	2967	(3979)
2.032	2.357	2.482										
3.044					1.22		2196	(2945)	2562	(3436)	2806	(3763)



VLJ 1930 series

		kW/rpm	kg	kW	(BHP)	kW	(BHP)	kW	(BHP)
VLJ 1930	Medium Duty		1150	1000 rpm		1200 rpm		1950 rpm *	
<i>1.410</i>	<i>3.368</i>	1.85		1850	(2481)	2220	(2977)	3608	(4838)
VLJ 1930	Light Duty		1150	1000 rpm		1200 rpm		1950 rpm *	
<i>1.410</i>	<i>3.368</i>	1.85		1850	(2481)	2220	(2977)	3608	(4838)
VLJ 1930	Pleasure Duty		1150	1000 rpm		1200 rpm		1950 rpm *	
<i>1.410</i>	<i>3.368</i>	1.85		1850	(2481)	2220	(2977)	3608	(4838)



VLJ 2230 series

		kW/rpm	kg	kW	(BHP)	kW	(BHP)	kW	(BHP)
VLJ 2230	Medium Duty		1600	1000 rpm		1200 rpm		1950 rpm *	
<i>1.513</i>	<i>2.920</i>	2.35		2350	(3151)	2820	(3782)	4582	(6145)
VLJ 2230	Light Duty		1600	1000 rpm		1200 rpm		1950 rpm *	
<i>1.513</i>	<i>2.920</i>	2.45		2450	(3285)	2940	(3943)	4778	(6407)
VLJ 2230	Pleasure Duty		1600	1000 rpm		1200 rpm		1950 rpm *	
<i>1.513</i>	<i>2.920</i>	2.51		2510	(3366)	3012	(4039)	4894	(6564)



VLJ 4000 – 7000 series

		kW/rpm	kg	kW (BHP)	kW (BHP)	kW (BHP)	kW (BHP)
VLJ 4431	Continuous Duty		3600	900 rpm	1100 rpm	1200 rpm *	
1.552		6.20		5580 (7483)	6820 (9146)	7440 (9977)	
VLJ 4431	Continuous Duty		3600	900 rpm	1100 rpm	1200 rpm *	
2.600		4.85		4365 (5853)	5335 (7154)	5820 (7805)	
VLJ 6831	Continuous Duty		3900	900 rpm	1100 rpm	1200 rpm *	
1.405		7.20		6480 (8690)	7920 (10621)	8640 (11586)	
VLJ 6841	Continuous Duty		4900	900 rpm	1100 rpm	1200 rpm *	
2.097		7.20		6480 (8690)	7920 (10621)	8640 (11586)	
2.840		7.00		6300 (8448)	7700 (10326)	8400 (11264)	
VLJ 7531	Continuous Duty		4300	900 rpm	1100 rpm	1200 rpm *	
1.541		8.20		7380 (9897)	9020 (12096)	9840 (13195)	
2.133		8.00		7200 (9655)	8800 (11801)	9600 (12874)	
VLJ 7541	Continuous Duty		4850	900 rpm	1100 rpm	1200 rpm *	
1.486	2.067	9.20		8280 (11103)	10120 (13571)	11040 (14805)	



VA 2400 – 2700 series

		kW/rpm	kg	kW	(BHP)	kW	(BHP)	kW	(BHP)
VA 2451	Continuous Duty		5100	750 rpm		900 rpm		1200 rpm *	
<i>3.179</i>		4.14		3105	(4164)	3726	(4997)	4968	(6662)
<i>5.450</i>		2.44		1830	(2454)	2196	(2945)	2928	(3926)
VA 2741	Continuous Duty		5500	750 rpm		900 rpm		1200 rpm *	
<i>1.500</i>		7.40		5550	(7443)	6660	(8931)	8880	(11908)
<i>3.944</i>		3.80		2850	(3822)	3420	(4586)	4560	(6115)



VA 3400 – 3500 series

		kW/rpm	kg	kW	(BHP)	kW	(BHP)	kW	(BHP)
VA 3451	Continuous Duty		8700	750 rpm		900 rpm		1200 rpm *	
<i>4.095</i>		5.50		4125	(5532)	4950	(6638)	6600	(8851)
<i>5.273</i>		4.06		3047	(4086)	3657	(4904)	4876	(6538)
VA 3462	Continuous Duty		10200	750 rpm		900 rpm		1200 rpm *	
<i>5.286</i>		5.00		3750	(5029)	4500	(6034)	6000	(8046)
<i>5.905</i>		4.45		3338	(4476)	4005	(5371)	5340	(7161)
VA 3541	Continuous Duty		7600	750 rpm		900 rpm		1200 rpm *	
<i>1.514</i>		10.10		7575	(10158)	9090	(12190)	12120	(16253)
<i>4.050</i>		5.26		3945	(5290)	4734	(6348)	6312	(8464)



VA 4800 – 4900 series

		kW/rpm	kg	kW	(BHP)	kW	(BHP)	kW	(BHP)
VA 4851	Continuous Duty		12000	750 rpm		900 rpm		1200 rpm *	
<i>3.818</i>		8.40		6300	(8448)	7560	(10138)	10080	(13517)
<i>4.809</i>		6.90		5175	(6940)	6210	(8328)	8280	(11103)
VA 4855	Continuous Duty		12500	750 rpm		900 rpm		1200 rpm *	
<i>3.542</i>		10.97		8228	(11033)	9873	(13240)	13164	(17653)
<i>5.048</i>		8.11		6082	(8157)	7299	(9788)	9732	(13051)
VA 4945	Continuous Duty		10800	750 rpm		900 rpm		1200 rpm *	
<i>1.512</i>		10.14		7605	(10198)	9126	(12238)	12168	(16317)
VA 4945	Continuous Duty		10800	750 rpm		900 rpm		1200 rpm *	
<i>3.905</i>		7.07		5302	(7111)	6363	(8533)	8484	(11377)
VA 4941	Continuous Duty		9500	750 rpm		900 rpm		1200 rpm *	
<i>2.276</i>		10.67		8002	(10731)	9603	(12878)	12804	(17170)
<i>4.053</i>		7.07		5302	(7111)	6363	(8533)	8484	(11377)



SVA 600 – 900 series

		kW/rpm	kg	kW	(BHP)	kW	(BHP)	kW	(BHP)
SVA 630B	Continuous Duty		-	600 rpm		750 rpm		1000 rpm *	
2.483		5.70		3420	(4586)	4275	(5733)	5700	(7644)
3.810		4.20		2520	(3379)	3150	(4224)	4200	(5632)
SVA 630A	Continuous Duty		-	600 rpm		750 rpm		1000 rpm *	
4.083		3.20		1920	(2575)	2400	(3218)	3200	(4291)
5.181		2.00		1200	(1609)	1500	(2012)	2000	(2682)
SVA 750B	Continuous Duty		12000	600 rpm		750 rpm		1000 rpm *	
3.148		7.70		4620	(6195)	5775	(7744)	7700	(10326)
SVA 800B	Continuous Duty		13200	500 rpm		750 rpm		1000 rpm *	
2.031		12.90		6450	(8649)	9675	(12974)	12900	(17299)
3.905		8.00		4000	(5364)	6000	(8046)	8000	(10728)
SVA 800A	Continuous Duty		13200	500 rpm		750 rpm		1000 rpm *	
4.550		5.80		2900	(3889)	4350	(5833)	5800	(7778)
SVA 800-6B	Continuous Duty		-	500 rpm		750 rpm		1000 rpm *	
4.875		4.40		2200	(2950)	3300	(4425)	4400	(5900)
5.409		4.00		2000	(2682)	3000	(4023)	4000	(5364)
SVA 800-6A	Continuous Duty		-	500 rpm		750 rpm		1000 rpm *	
5.762		3.00		1500	(2012)	2250	(3017)	3000	(4023)
SVA 850B	Continuous Duty		16000	500 rpm		750 rpm		1000 rpm *	
1.973		18.30		9150	(12270)	13725	(18405)	18300	(24540)
3.783		12.00		6000	(8046)	9000	(12069)	12000	(16092)
SVA 850A	Continuous Duty		16000	500 rpm		750 rpm		1000 rpm *	
3.917		8.60		4300	(5766)	6450	(8649)	8600	(11533)
4.364		7.90		3950	(5297)	5925	(7945)	7900	(10594)
SVA 850-6B	Continuous Duty		-	500 rpm		750 rpm		1000 rpm *	
4.900		4.90		2450	(3285)	3675	(4928)	4900	(6571)
5.571		4.40		2200	(2950)	3300	(4425)	4400	(5900)
SVA 900B	Continuous Duty		17000	500 rpm		750 rpm		1000 rpm *	
2.028		19.00		9500	(12740)	14250	(19109)	19000	(25479)
3.955		12.00		6000	(8046)	9000	(12069)	12000	(16092)
SVA 900A	Continuous Duty		17000	500 rpm		750 rpm		1000 rpm *	
4.208		8.60		4300	(5766)	6450	(8649)	8600	(11533)



SVA 900 – 950 series

		kW/rpm	kg	kW	(BHP)	kW	(BHP)	kW	(BHP)
SVA 900A	Continuous Duty		17000	500 rpm		750 rpm		1000 rpm *	
4.682		7.90		3950	(5297)	5925	(7945)	7900	(10594)
SVA 900-6A	Continuous Duty		-	500 rpm		750 rpm		1000 rpm *	
4.826		6.45		3225	(4325)	4838	(6487)	6450	(8649)
5.381		5.90		2950	(3956)	4425	(5934)	5900	(7912)
SVA 950B	Continuous Duty		18800	500 rpm		750 rpm		1000 rpm *	
2.594		22.00		11000	(14751)	16500	(22126)	22000	(29502)
3.792		16.00		8000	(10728)	12000	(16092)	16000	(21456)
SVA 950A	Continuous Duty		18800	500 rpm		750 rpm		1000 rpm *	
3.920		13.20		6600	(8851)	9900	(13276)	13200	(17701)
4.348		11.60		5800	(7778)	8700	(11667)	11600	(15556)
SVA 950-6B	Continuous Duty		-	600 rpm		750 rpm		1000 rpm *	
4.591		8.80		5280	(7080)	6600	(8851)	8800	(11801)
4.857		8.40		5040	(6759)	6300	(8448)	8400	(11264)
SVA 950-6A	Continuous Duty		-	600 rpm		750 rpm		1000 rpm *	
5.150		6.40		3840	(5149)	4800	(6437)	6400	(8582)
5.762		5.90		3540	(4747)	4425	(5934)	5900	(7912)



SVA 1000 series

		kW/rpm	kg	kW	(BHP)	kW	(BHP)	kW	(BHP)
SVA 1000B	Continuous Duty		19500	500 rpm		750 rpm		1000 rpm *	
1.972		26.50		13250	(17768)	19875	(26652)	26500	(35536)
4.042		16.10		8050	(10795)	12075	(16193)	16100	(21590)
SVA 1000A	Continuous Duty		19500	500 rpm		750 rpm		1000 rpm *	
4.500		11.30		5650	(7577)	8475	(11365)	11300	(15153)
4.750		10.90		5450	(7308)	8175	(10963)	10900	(14617)
SVA 1050B	Continuous Duty		21000	500 rpm		750 rpm		1000 rpm *	
2.054		27.50		13750	(18439)	20625	(27658)	27500	(36878)
4.136		16.60		8300	(11130)	12450	(16695)	16600	(22261)



SVA 1000 – 1200 series

	kW/rpm	kg	kW	(BHP)	kW	(BHP)	kW	(BHP)
SVA 1050-6B Continuous Duty		-	500 rpm		750 rpm		1000 rpm *	
5.048	8.80		4400	(5900)	6600	(8851)	8800	(11801)
5.636	8.00		4000	(5364)	6000	(8046)	8000	(10728)
SVA 1050-6A Continuous Duty		-	500 rpm		750 rpm		1000 rpm *	
5.952	6.20		3100	(4157)	4650	(6236)	6200	(8314)
6.136	6.03		3015	(4043)	4522	(6065)	6030	(8086)
SVA 1120B Continuous Duty		22500	500 rpm		750 rpm		1000 rpm *	
2.025	38.10		19050	(25546)	28575	(38319)	38100	(51092)
4.455	16.60		8300	(11130)	12450	(16695)	16600	(22261)
SVA 1120A Continuous Duty		22500	500 rpm		750 rpm		1000 rpm *	
4.800	12.30		6150	(8247)	9225	(12371)	12300	(16494)
5.304	10.30		5150	(6906)	7725	(10359)	10300	(13812)
SVA 1200B Continuous Duty		31000	500 rpm		750 rpm		1000 rpm *	
2.023	44.00		22000	(29502)	33000	(44253)	44000	(59004)
4.417	24.25		12126	(16262)	18190	(24392)	24253	(32523)
SVA 1200A Continuous Duty		31000	500 rpm		750 rpm		1000 rpm *	
4.864	17.50		8750	(11734)	13125	(17601)	17500	(23468)
5.083	16.90		8450	(11331)	12675	(16997)	16900	(22663)
SVA 1200-6B Continuous Duty		-	500 rpm		750 rpm		1000 rpm *	
5.348	12.40		6200	(8314)	9300	(12471)	12400	(16628)
5.783	11.50		5750	(7711)	8625	(11566)	11500	(15422)
SVA 1200-6A Continuous Duty		-	500 rpm		750 rpm		1000 rpm *	
6.091	8.80		4400	(5900)	6600	(8851)	8800	(11801)
6.429	8.40		4200	(5632)	6300	(8448)	8400	(11264)



SVAL 800 – 900 series

	kW/rpm	kg	kW	(BHP)	kW	(BHP)	kW	(BHP)
SVAL 850-88 Continuous Duty		-	500 rpm		750 rpm		1000 rpm *	
1.973	14.50		7250	(9722)	10875	(14583)	14500	(19444)
3.783	9.87		4935	(6618)	7402	(9927)	9870	(13236)
SVAL 850-88 Continuous Duty		-	500 rpm		750 rpm		1000 rpm *	
3.917	8.50		4250	(5699)	6375	(8549)	8500	(11398)
SVAL 950-66 Continuous Duty		-	600 rpm		750 rpm		1000 rpm *	
3.423	8.40		5040	(6759)	6300	(8448)	8400	(11264)
4.917	6.95		4172	(5595)	5216	(6994)	6954	(9325)
SVAL 950-66 Continuous Duty		-	600 rpm		750 rpm		1000 rpm *	
5.150	6.10		3660	(4908)	4575	(6135)	6100	(8180)
5.762	5.50		3300	(4425)	4125	(5532)	5500	(7376)



SVAL 1000 – 1200 series

	kW/rpm	kg	kW	(BHP)	kW	(BHP)	kW	(BHP)
SVAL 1000-99 Continuous Duty		-	500 rpm		750 rpm		1000 rpm *	
2.484	19.00		9500	(12740)	14250	(19109)	19000	(25479)
4.042	15.20		7600	(10192)	11400	(15287)	15200	(20383)
SVAL 1000-88 Continuous Duty		-	500 rpm		750 rpm		1000 rpm *	
2.484	14.50		7250	(9722)	10875	(14583)	14500	(19444)
4.042	13.62		6811	(9134)	10216	(13700)	13622	(18267)
SVAL 1000-88 Continuous Duty		-	500 rpm		750 rpm		1000 rpm *	
4.500	11.60		5800	(7778)	8700	(11667)	11600	(15556)
4.750	11.10		5550	(7443)	8325	(11164)	11100	(14885)
SVAL 1060-66 Continuous Duty		-	600 rpm		750 rpm		1000 rpm *	
4.476	8.40		5040	(6759)	6300	(8448)	8400	(11264)
5.682	6.40		3840	(5149)	4800	(6437)	6400	(8582)
SVAL 1060-66 Continuous Duty		-	600 rpm		750 rpm		1000 rpm *	
5.913	5.80		3480	(4667)	4350	(5833)	5800	(7778)
6.478	5.40		3240	(4345)	4050	(5431)	5400	(7241)



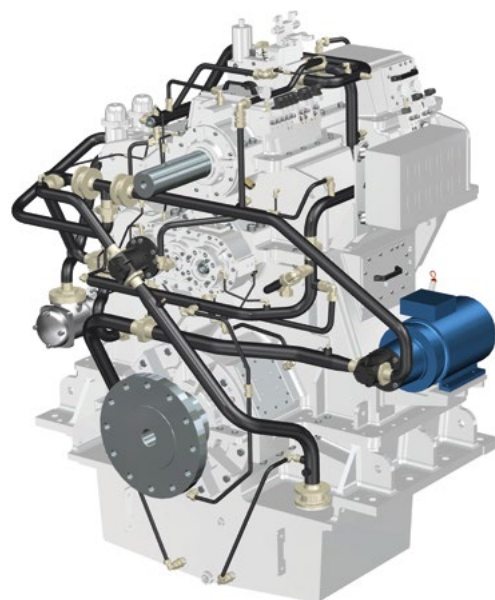
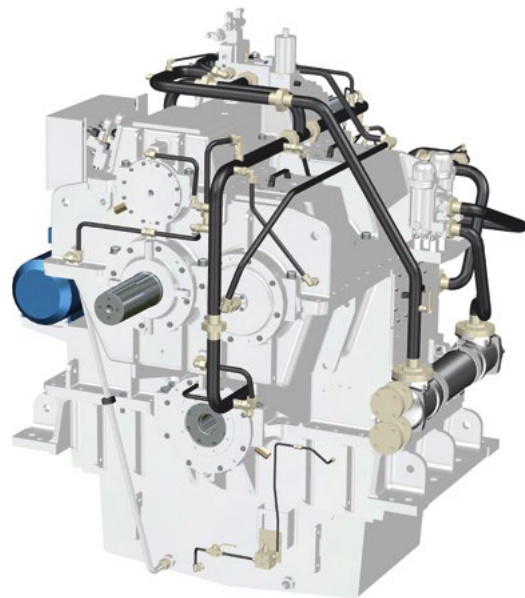
SVAL 1000 – 1200 series

		kW/rpm	kg	kW	(BHP)	kW	(BHP)	kW	(BHP)
SVAL 1120-99 Continuous Duty			-	500 rpm		750 rpm		1000 rpm *	
<i>3.033</i>	<i>4.042</i>	19.00		9500	(12740)	14250	(19109)	19000	(25479)
SVAL 1120-99 Continuous Duty			-	500 rpm		750 rpm		1000 rpm *	
<i>4.217</i>		16.40		8200	(10996)	12300	(16494)	16400	(21992)
<i>4.455</i>		15.70		7850	(10527)	11775	(15790)	15700	(21054)
SVAL 1120-88 Continuous Duty			-	500 rpm		750 rpm		1000 rpm *	
<i>3.033</i>		14.50		7250	(9722)	10875	(14583)	14500	(19444)
<i>4.455</i>		14.00		7000	(9387)	10500	(14080)	14000	(18774)
SVAL 1120-88 Continuous Duty			-	500 rpm		750 rpm		1000 rpm *	
<i>4.800</i>		12.30		6150	(8247)	9225	(12371)	12300	(16494)
<i>5.304</i>		10.60		5300	(7107)	7950	(10661)	10600	(14215)
SVAL 1200-66 Continuous Duty			-	600 rpm		750 rpm		1000 rpm *	
<i>5.083</i>		8.40		5040	(6759)	6300	(8448)	8400	(11264)
<i>6.429</i>		7.80		4680	(6276)	5850	(7845)	7800	(10460)
SVAL 1250-11 Continuous Duty			-	500 rpm		750 rpm		900 rpm *	
<i>1.973</i>		26.00		13000	(17433)	19500	(26150)	23400	(31379)
<i>4.238</i>		23.40		11700	(15690)	17550	(23535)	21060	(28241)

Two-speed reduction gearbox with slide bearings and clutch

- CPP application
- Customised ratios
- Vertical / Horizontal offset
- Optimised for all relevant PTO/PTI applications

	i_1	i_2	p/n [-]	Weight [kg]
ZSVAL 675-22	4.100	5.424	1.12	tbd
ZSVAL 750-22	5.348	7.273	2.91	tbd
ZSVAL 865-22	6.591	8.212	2.16	15000
ZSVAL 950-77 HL/HR	3.731	5.330	6.96	26000
ZSVAL 1000-55	5.522	6.561	6.36	tbd
ZSVAL 1060-77	4.609	6.857	8.33	tbd
ZSVAL 1120-99	4.762	5.930	15.20	26000
ZSVAL 1200-88	4.179	5.419	13.42	tbd
ZSVAL 1250-110	3.880	5.160	28.02	tbd



Project specific gearbox – available on request only!

DLG/DUG series

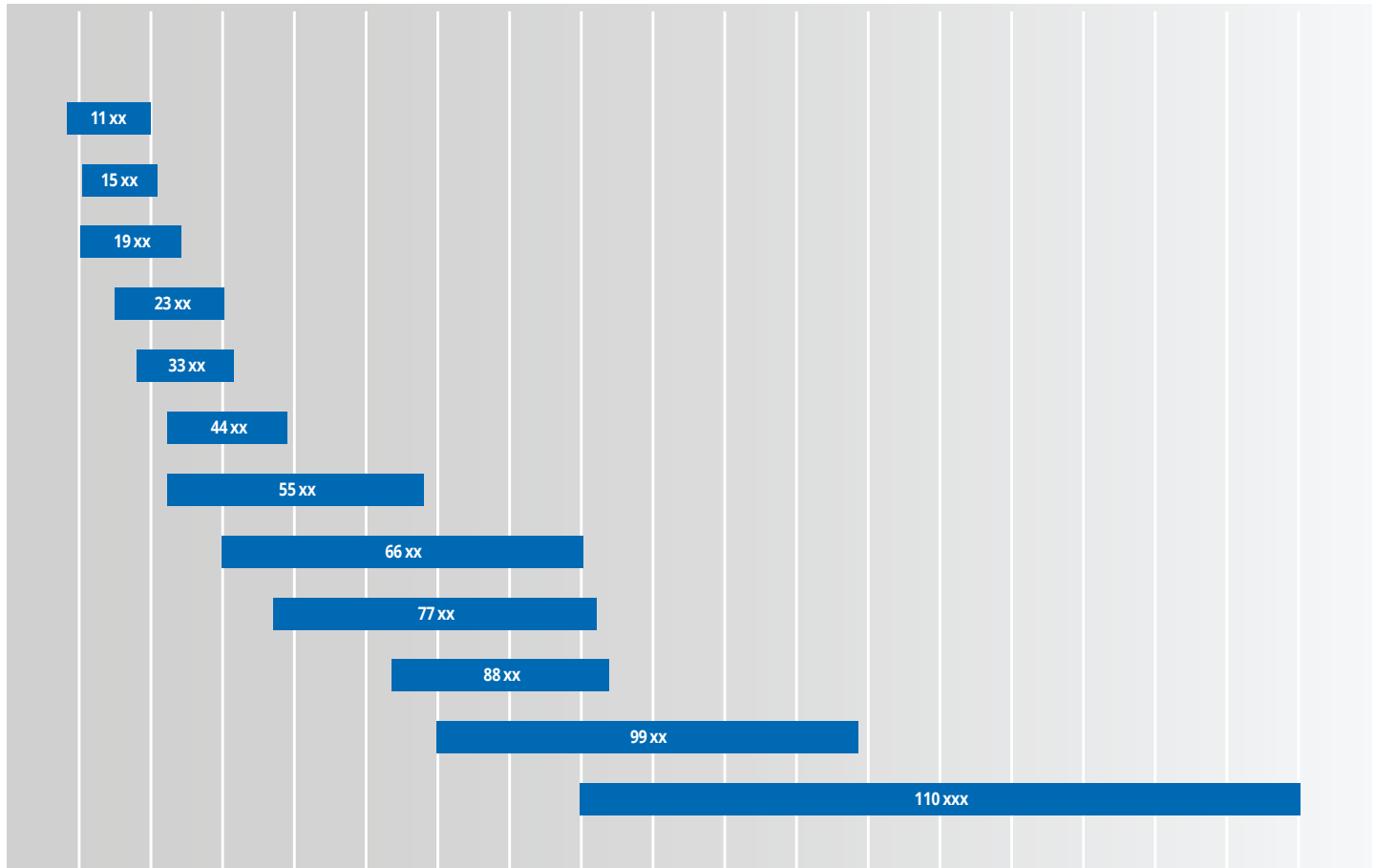
DLG: Twin input / single output reduction gearbox **with** clutch

DUG: Twin input / single output reduction gearbox **without** clutch

- Customised ratios
- Horizontal offset / Diagonal offset
- Optional PTO/PTI
- Project specific gearbox - available on request only!

- Gearbox designation e. g. DLG 19xx:
19 = size of clutch,
xx = variations of output shaft- sizes
according to output torque (13, 16, 31, ...131)

kW	1.500	2.200	3.000	3.800	4.600	5.400	6.200	7.000	7.800	8.600	9.400	10.200	11.000	11.800	12.600	13.400	14.200	15000
BHP	2.011	2.948	4.020	5092	6.164	7.236	8.308	9.380	10.452	11.524	12.596	13.668	14.740	15.812	16.884	17.956	19.028	20.100

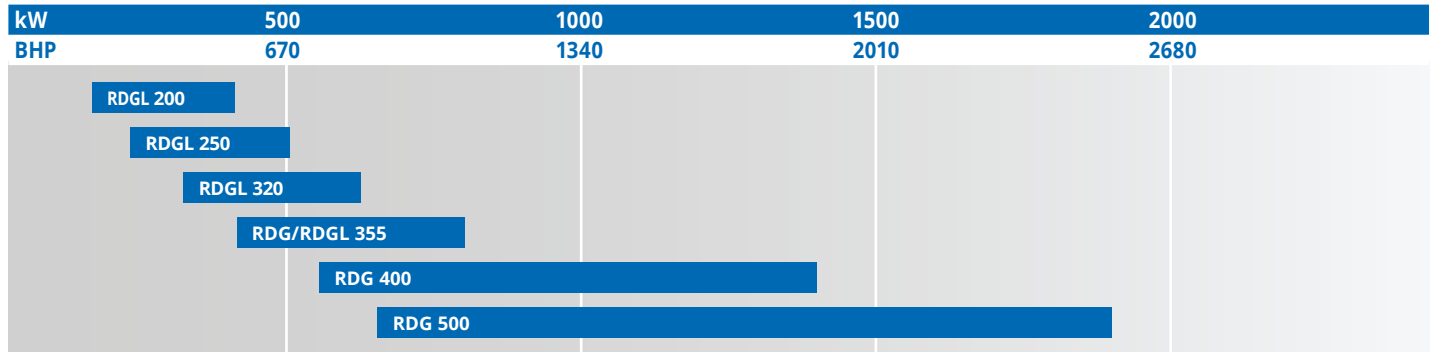


RDG/RDGL series

Engine Power

- Reduction gearbox with roller bearing for dredging application
- With or without clutch
- Vertically offset
- High operating reliability

With (RDGL) or without clutch (RDG)

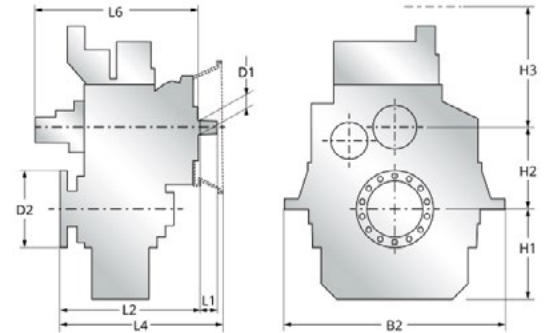


Main Dimensions

WF

Small reverse-reduction gearbox for propulsion with fixed pitch propeller

- Vertical offset
- Optional SAE housing

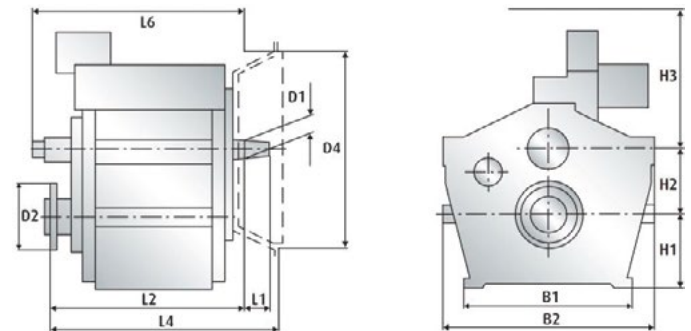


Size	B1	B2	H1	H2	H3	H4	D1	D2	L1	L2	SAE 1	SAE 0	SAE 00	L6	Oil l	Weight kg
											L4	L4	L4			
350	490	910	365	282	528	-	60	285	69	601	670	670	-	790	30	670
370	490	930	380	346	524	-	60	325	69	587	656	656	-	800	25	730
380	586	1216	470	418	542	-	60	345	69	639	708	708	-	790	28	1180
450	404	1096	413	310	550	-	70	325	80	634	-	755	771	865	30	830
470	404	1096	423	380	550	-	70	345	80	697	-	818	834	681	30	1100
480	716	1286	520	460	549	-	70	420	80	713	-	834	850	815	30	1500
550	654	924	440	339	571	-	75	345	97	755	-	874	890	985	40	1200
570	784	1188	385	415	575	-	75	420	97	768	-	887	903	985	40	1450
580	790	1358	540	500	575	-	75	420	97	773	-	892	908	985	50	1850

WAF

Reverse-reduction gearbox for propulsion with fixed pitch propeller

- Vertical offset
- Optional SAE housing



Size	B1	B2	H1	H2	H3	H4	D1	D2	L1	L2	SAE 1	SAE 0	SAE 00	L6	Oil l	Weight kg
											L4	L4	L4			
164	505	660	315	290	370	-	55	285	70	595	658	658	-	685	26	525
244	530	640	240	215	355	-	55	240	70	560	627	627	-	685	20	455

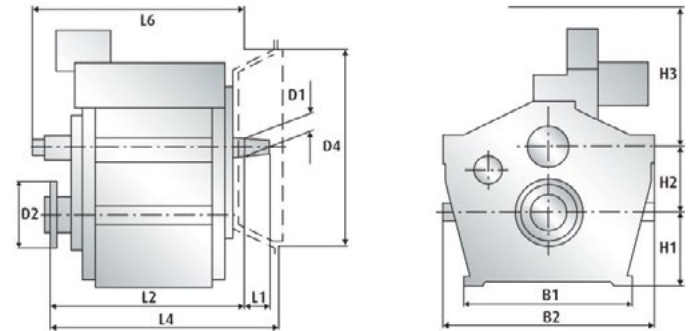
Main Dimensions

WAF

Reverse-reduction gearbox for propulsion with fixed pitch propeller

- Vertical offset
- Optional SAE housing

table continued

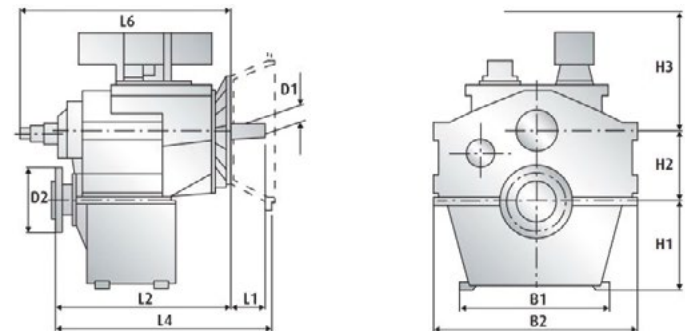


Size	B1	B2	H1	H2	H3	H4	D1	D2	L1	L2	SAE 1 L4	SAE 0 L4	SAE 00 L4	L6	Oil l	Weight kg
264	540	670	345	315	365	-	55	285	70	595	658	658	-	685	28	700
274	700	830	420	380	365	-	55	325	70	600	666	666	-	690	30	725
344	570	720	265	250	395	-	60	285	80	645	750	750	-	740	30	730
364	580	750	380	345	415	-	60	325	80	665	773	773	-	755	38	810
374	800	930	460	410	430	-	60	325	80	670	773	773	-	860	60	1200
444	495	740	285	270	505	-	75	300	97	720	820	820	-	810	30	760
464	575	800	400	375	510	-	75	325	97	725	822	822	-	810	42	940

WAF

Reverse-reduction gearbox for propulsion with fixed pitch propeller

- Vertical offset
- Optional SAE housing



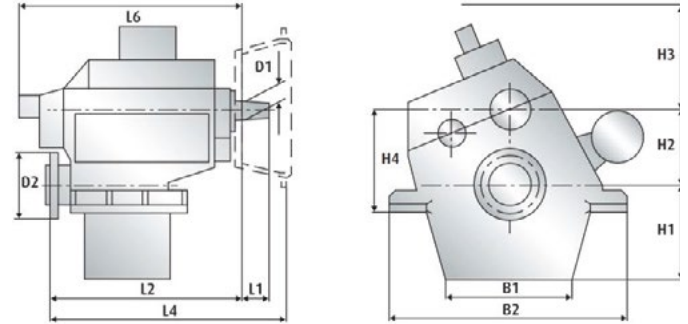
Size	B1	B2	H1	H2	H3	H4	D1	D2	L1	L2	SAE 1 L4	SAE 0 L4	SAE 00 L4	L6	Oil l	Weight kg
543	530	840	380	310	540	-	75	325	97	775	-	895	911	935	43	1040
563	570	920	475	410	550	-	75	350	97	820	-	941	957	1060	50	1445

Main Dimensions

WAF

Reverse-reduction gearbox for propulsion with fixed pitch propeller

- Vertical offset
- Optional SAE housing

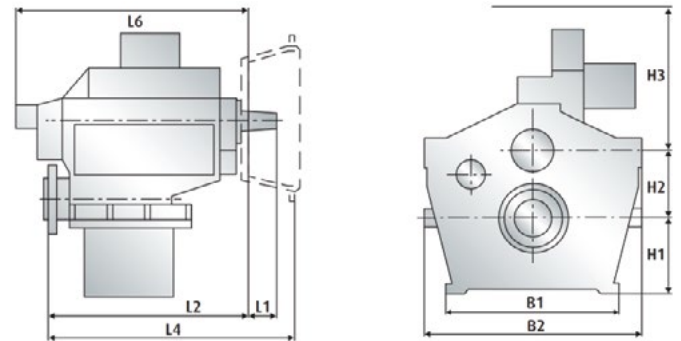


Size	B1	B2	H1	H2	H3	H4	D1	D2	L1	L2	SAE 1	SAE 0	SAE 00	L6	Oil l	Weight kg
											L4	L4	L4			
474	760	1310	510	460	330	600	75	350	97	745	-	844	-	810	54	1830
573	690	1360	575	505	500	645	75	375	97	835	-	955	971	980	65	2365
665	430	1160	490	430	540	560	85	420	101	881	-	1042	1042	1200	65	1950
675	650	1480	610	550	540	680	85	420	101	892	-	1053	1053	1200	90	2600
743	610	1160	490	380	550	510	92	350	107	933	-	-	1158	1190	70	1800
763	680	1300	530	490	550	630	92	375	107	934	-	-	1159	1190	75	2300
773	790	1670	680	620	550	760	92	420	107	951	-	-	-	1190	100	3200

WVS/WLS

Light weight reverse-reduction gearbox for propulsion with fixed pitch propeller / Light weight reduction gearbox for propulsion with controllable pitch propeller

- Vertical offset
- Optional SAE housing



Size	B1	B2	H1	H2	H3	H4	D1	D2	L1	L2	SAE 1	SAE 0	SAE 00	L6	Oil l	Weight kg
											L4	L4	L4			
234/1	475	640	200	200	420	-	55	220	69	483	64	-	-	680	20	295
334	530	720	240	215	420	-	62	180	100	564	109	109	-	700	25	340
430/1	400	730	260	235	390	-	75	220	-	675	60	102	-	840	45	490

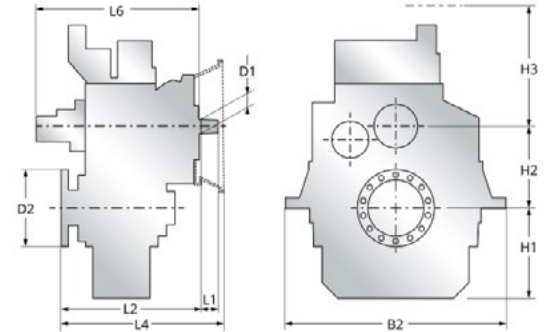


Main Dimensions

EF

Reduction gearbox without clutch for electric drive

- Vertical offset
- Optional SAE housing



Size	B1	B2	H1	H2	H3	H4	D1	D2	L1	L2	SAE 1	SAE 0	SAE 00	L6	Oil l	Weight kg
											L4	L4	L4			
350	490	910	365	282	528	-	60	285	69	601	670	670	-	790	30	670
370	490	930	380	346	524	-	60	325	69	587	656	656	-	800	25	730
380	586	1216	470	418	542	-	60	345	69	639	708	708	-	790	28	1180
450	404	1096	413	310	550	-	70	325	80	634	-	755	771	865	30	830
470	404	1096	423	380	550	-	70	345	80	697	-	818	834	681	30	1100
480	716	1286	520	460	549	-	70	420	80	713	-	834	850	815	30	1500
550	654	924	440	339	571	-	75	345	97	755	-	874	890	985	40	1200
570	784	1188	385	415	575	-	75	420	97	768	-	887	903	985	40	1450
580	790	1358	540	500	575	-	75	420	97	773	-	892	908	985	50	1850

LF

Reduction gearbox for propulsion with controllable pitch propeller

- Vertical offset
- Optional SAE housing

Size	B1	B2	H1	H2	H3	H4	D1	D2	L1	L2	SAE 1	SAE 0	SAE 00	L6	Oil l	Weight kg
											L4	L4	L4			
350	490	910	365	282	528	-	60	285	69	601	670	670	-	790	30	670
370	490	930	380	346	524	-	60	325	69	587	656	656	-	800	25	730

Main Dimensions

LF

Reduction gearbox for propulsion with controllable pitch propeller

- Vertical offset
- Optional SAE housing

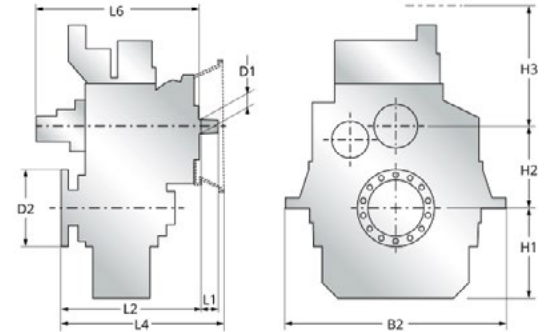


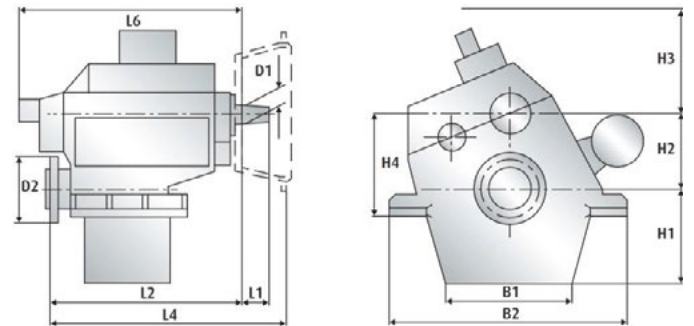
table continued

Size	B1	B2	H1	H2	H3	H4	D1	D2	L1	L2	SAE 1	SAE 0	SAE 00	L6	Oil l	Weight kg
											L4	L4	L4			
380	586	1216	470	418	542	-	60	345	69	639	708	708	-	790	28	1180
450	404	1096	413	310	550	-	70	325	80	634	-	755	771	865	30	830
470	404	1096	423	380	550	-	70	345	80	697	-	818	834	681	30	1100
480	716	1286	520	460	549	-	70	420	80	713	-	834	850	815	30	1500
550	654	924	440	339	571	-	75	345	97	755	-	874	890	985	40	1200
570	784	1188	385	415	575	-	75	420	97	768	-	887	903	985	40	1450
580	790	1358	540	500	575	-	75	420	97	773	-	892	908	985	50	1850

LAF

Reduction gearbox for propulsion with controllable pitch propeller

- Vertical offset
- Optional SAE housing



Size	B1	B2	H1	H2	H3	H4	D1	D2	L1	L2	SAE 1	SAE 0	SAE 00	L6	Oil l	Weight kg
											L4	L4	L4			
665	430	1160	490	430	540	560	85	420	101	881	-	1042	1042	1200	65	1800
675	650	1480	610	550	540	680	85	420	101	892	-	1053	1053	1200	90	2450
743	610	1160	490	380	550	510	92	350	107	933	-	-	1158	1190	70	1600
763	680	1300	530	490	550	630	92	375	107	934	-	-	1159	1190	75	2100

All dimensions, weights and oil quantities are not binding and may differ in custom executions.

Main Dimensions

LAF

Reduction gearbox for propulsion with controllable pitch propeller

- Vertical offset
- Optional SAE housing

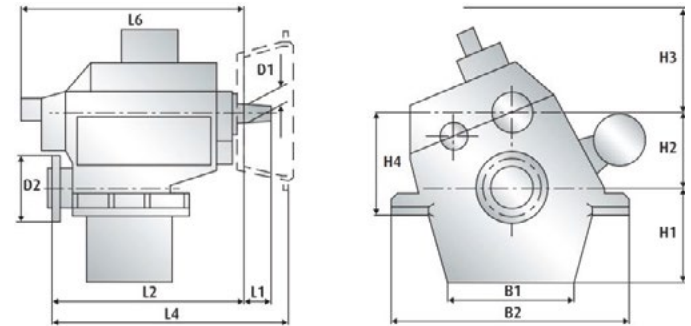


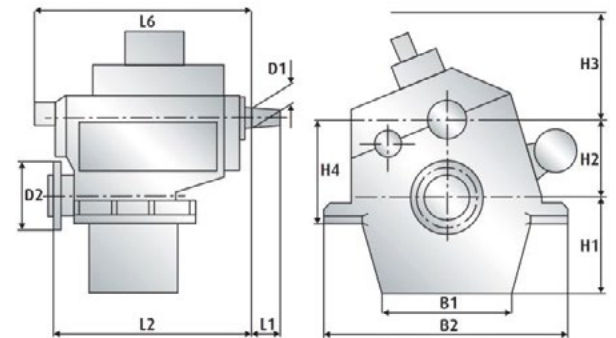
table continued

Size	B1	B2	H1	H2	H3	H4	D1	D2	SAE				Oil l	Weight kg		
									L1	L2	L4	L4			L4	L6
773	790	1670	680	620	550	760	92	420	107	951	-	-	-	1190	100	3000

WAF

Reverse-reduction gearbox for propulsion with fixed pitch propeller

- Vertical offset



Size	B1	B2	H1	H2	H3	H4	D1	D2	L1	L2	L6	Oil l	Weight kg
843	680	1300	530	425	550	565	107	375	142	970	1280	90	2300
863	705	1400	590	540	550	690	107	420	142	1000	1280	110	3100
873	860	1650	750	670	550	710	107	480	142	1030	1280	120	4100
1143	705	1400	590	450	650	600	107	420	142	1053	1368	115	2750
1163	855	1520	660	590	650	750	107	480	142	1085	1368	125	3600
1173	1000	1800	810	730	880	890	107	550	142	1008	1400	150	5000
1543	855	1520	660	490	650	650	117	480	154	1133	1413	175	3400
1563	925	1620	675	630	650	790	117	550	154	1163	1413	150	4460
1943	925	1620	675	485	600	645	127	550	162	1261	1556	215	4460
1963	970	1680	720	675	600	845	127	600	162	1281	1556	215	5540

All dimensions, weights and oil quantities are not binding and may differ in custom executions.

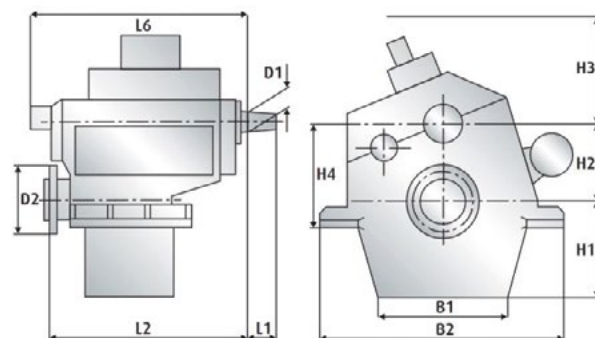
Main Dimensions

WAF

Reverse-reduction gearbox for propulsion with fixed pitch propeller

- Vertical offset

table continued



Size	B1	B2	H1	H2	H3	H4	D1	D2	L1	L2	L6	Oil l	Weight kg
1973	1000	2210	865	820	700	970	127	650	162	1347	1700	290	8500
2346	730	1550	630	560	600	720	162	550	200	1475	1800	140	6000
2355	920	1780	730	660	600	820	162	600	200	1470	1800	260	7000
2365	1050	2120	770	760	600	920	162	600	200	1470	1800	250	8000
2375	900	2120	875	865	700	1085	162	650	200	1480	1800	290	10000
3445	790	1660	660	600	560	760	167	600	200	1540	1870	265	7100
3455	930	1880	770	710	700	870	167	650	200	1550	1870	220	8500
3465	930	2100	850	815	700	975	167	650	200	1550	1870	420	10400
3475	1150	2380	970	925	700	1095	167	670	200	1570	1870	360	11500
4545	930	1880	770	650	600	810	187	650	235	1630	1970	290	8900
4555	960	1980	810	765	600	935	187	670	235	1655	1970	300	10500
4566	1240	2400	935	885	730	1065	187	710	235	1695	2050	430	12600
4575	1480	2750	1055	1010	730	1190	187	710	235	1695	2050	430	14100
5645	1100	1980	810	690	700	860	195	670	250	1725	2090	370	11600
5655	1275	2240	870	815	700	995	195	710	250	1765	2090	410	13200
5666	1395	2420	980	935	700	1135	195	750	250	1870	2090	500	16000
5675	1600	2700	1110	1055	700	1255	195	800	250	1710	2090	600	18000
6745	1275	2240	870	735	950	915	217	710	265	1870	2220	520	15000
6755	1280	2280	930	880	950	1080	217	750	265	1875	2220	550	17000
6766	1500	2450	1040	1000	1000	1260	217	800	265	1915	2220	600	18000
7740	1280	2280	930	800	900	1000	217	750	305	1985	2390	570	17000
7750	1300	2300	910	900	900	1100	217	800	305	2030	2390	630	19000
7760	1500	2450	1040	1050	1000	1310	217	900	305	2110	2390	800	20500

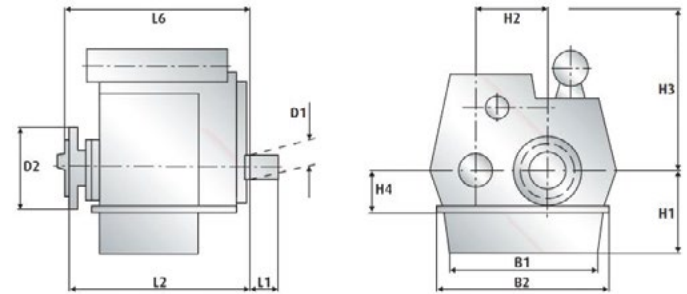
All dimensions, weights and oil quantities are not binding and may differ in custom executions.

Main Dimensions

WAF

Reverse-reduction gearbox for propulsion with fixed pitch propeller

- Vertical offset

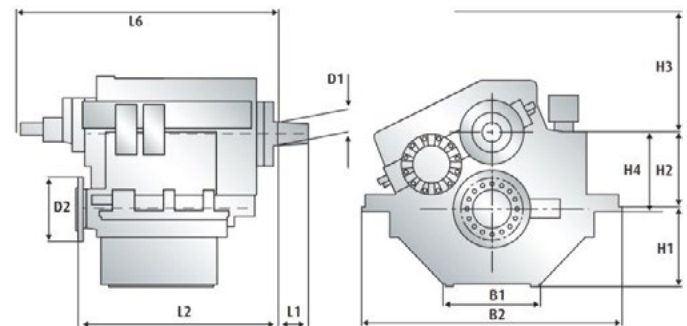


Size	B1	B2	H1	H2	H3	H4	D1	D2	L1	L2	L6	Oil l	Weight kg
2346	1160	1980	600	560	1250	160	162	550	198	1485	1800	260	7200
2355	1000	2180	680	660	1250	160	162	600	198	1470	1800	330	7500
2365	1481	2100	770	760	1290	350	162	600	198	1470	1800	400	9400
3445	1240	2060	660	600	1150	160	167	600	198	1540	1880	265	8200
3455	1550	2430	770	710	1200	160	167	650	198	1550	1880	425	9800
4545	1450	1950	710	650	1350	160	187	650	237	1630	1970	360	10500
4555	1600	2470	820	765	1300	170	187	670	237	1655	1970	350	11800
5666	1545	2050	740	690	1350	400	197	670	251	1725	2080	500	13000
6745	1550	2150	780	735	1350	445	217	710	263	1875	2210	600	15200
6755	1810	2590	920	880	1380	445	217	750	263	1875	2210	650	17600

WVS

Light weight reverse-reduction gearbox for propulsion with fixed pitch propeller

- Vertical offset



Size	B1	B2	H1	H2	H3	H4	D1	D2	L1	L2	L6	Oil l	Weight kg
730/1	650	1036	323	310	540	340	92	260	110	795	965	60	725
732	650	1036	323	310	540	340	92	260	110	795	965	60	725

All dimensions, weights and oil quantities are not binding and may differ in custom executions.

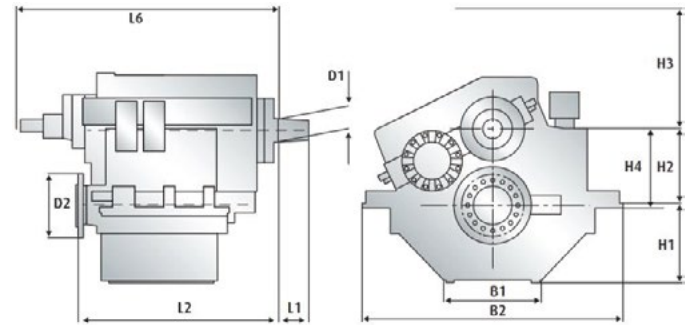
Main Dimensions

WVS

Light weight reverse-reduction gearbox for propulsion with fixed pitch propeller

- Vertical offset

table continued

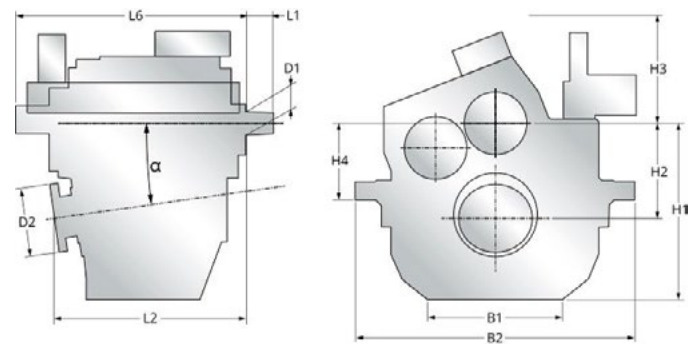


Size	B1	B2	H1	H2	H3	H4	D1	D2	L1	L2	L6	Oil l	Weight kg
930/1	750	1166	348	340	560	385	102	280	120	845	1024	80	950
1540	650	1300	390	390	700	405	107	330	142	952	1375	88	1450
1930	500	1340	400	390	650	405	117	330	154	1032	1300	80	1550
2230	700	1500	500	460	550	475	127	350	162	1180	1480	140	2150
2240	700	1500	500	460	550	475	127	390	162	1180	1480	150	2185

WVSA

Light weight reverse-reduction gearbox for propulsion with fixed pitch propeller, Down Angle

- Vertical offset
- 8° between input and output shaft



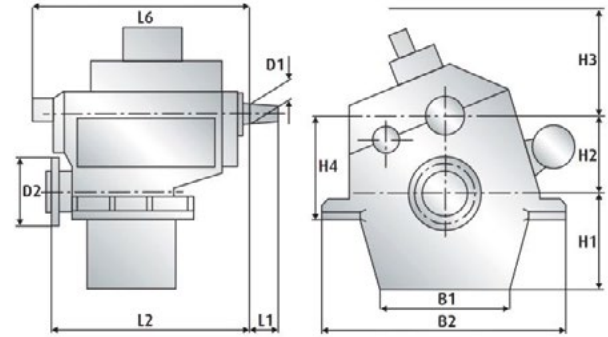
Size	B1	B2	H1	H2	H3	H4	D1	D2	L1	L2	L6	Oil l	Weight kg
1542	650	1380	860	458	600	370	117	420	142	909	1200	140	1700
1942	650	1420	960	500	640	415	117	330	154	997	1400	170	2050

Main Dimensions

LAF

Reduction gearbox for propulsion with controllable pitch propeller

- Vertical offset



Size	B1	B2	H1	H2	H3	H4	D1	D2	L1	L2	L6	Oil l	Weight kg
843	680	1300	530	425	550	565	107	375	142	970	1280	90	2640
863	705	1400	590	540	550	690	107	420	142	1000	1280	110	2850
873	860	1650	750	670	550	710	107	480	142	1030	1280	120	3850
1143	705	1400	590	450	650	600	107	420	142	1053	1368	115	2450
1163	855	1520	660	590	650	750	107	480	142	1085	1368	125	3300
1173	1000	1800	810	730	880	890	107	550	142	1008	1400	150	4600
1543	855	1520	660	490	650	650	117	480	154	1133	1413	175	3000
1563	925	1620	675	630	650	790	117	550	154	1163	1413	150	4000
1943	925	1620	675	485	600	645	127	550	162	1261	1556	215	4060
1963	970	1680	720	675	600	845	127	600	162	1281	1556	215	4940
1973	1000	2210	865	820	700	970	127	650	162	1347	1700	290	7580
2355	920	1780	730	660	600	820	162	600	200	1470	1800	260	6300
3445	790	1660	660	600	560	760	167	600	200	1540	1870	265	6400
3455	930	1880	770	710	700	870	167	650	200	1550	1870	220	7800
3465	930	2100	850	815	700	975	167	650	200	1550	1870	420	9700
3475	1150	2380	970	925	700	1095	167	670	200	1570	1870	360	10800
4545	930	1880	770	650	750	810	187	650	235	1630	1970	290	8000
4555	960	1980	810	765	750	935	187	670	235	1655	1970	300	9500
4566	1240	2400	935	885	750	1065	187	710	235	1695	2050	430	11100
4575	1480	2750	1055	1010	750	1190	187	710	235	1695	2050	450	13100

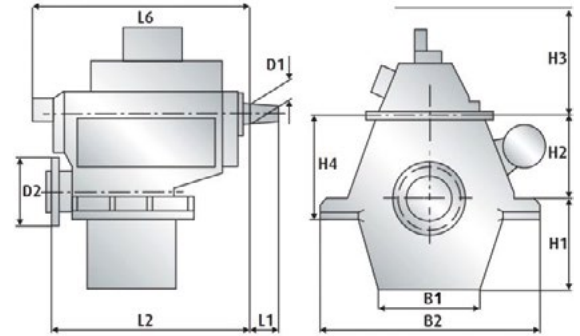
All dimensions, weights and oil quantities are not binding and may differ in custom executions.

Main Dimensions

LAF

Reduction gearbox for propulsion with controllable pitch propeller

- Vertical offset



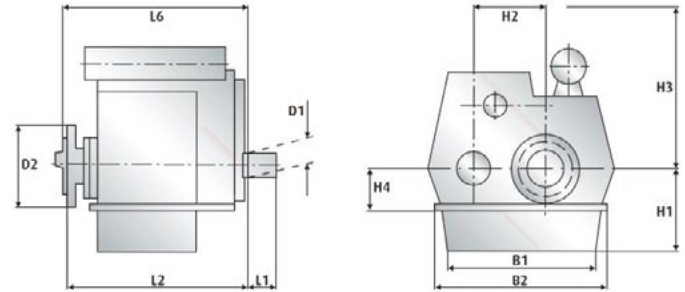
Size	B1	B2	H1	H2	H3	H4	D1	D2	L1	L2	L6	Oil l	Weight kg
2346	730	1550	630	560	600	720	162	550	200	1475	1800	140	5200
2365	1050	2120	770	760	600	920	162	600	200	1470	1800	250	7000
2375	900	2120	875	865	700	1085	162	650	200	1480	1800	290	9200
5645	1100	1980	810	690	900	860	195	670	250	1725	2090	370	9000
5655	1275	2240	870	815	900	995	195	710	250	1765	2090	410	11800
5666	1395	2420	980	935	900	1135	195	750	250	1870	2090	500	13800
5675	1600	2700	1110	1055	900	1255	195	800	250	1710	2090	600	17000
6745	1275	2240	870	735	900	915	217	710	265	1870	2220	420	12000
6755	1280	2280	930	880	900	1080	217	750	265	1875	2220	420	13800
6766	1500	2450	1040	1000	900	1260	217	800	265	1915	2220	580	17000
7740	1280	2280	930	800	900	1000	217	750	305	1985	2390	570	15500
7750	1300	2300	910	900	900	1100	217	800	305	2030	2390	630	16500
7760	1500	2450	1040	1050	900	1310	217	900	305	2110	2390	800	17500

Main Dimensions

LAF

Reduction gearbox for propulsion with controllable pitch propeller

- Vertical offset

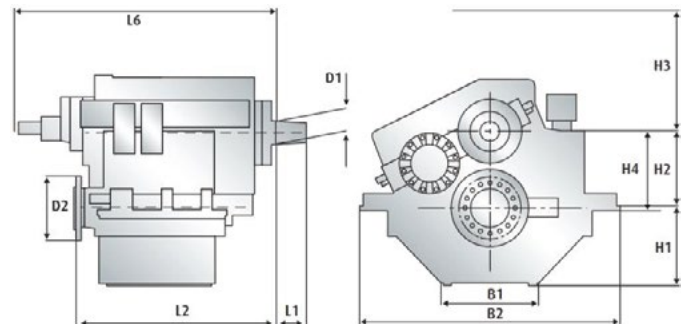


Size	B1	B2	H1	H2	H3	H4	D1	D2	L1	L2	L6	Oil l	Weight kg
2346	1160	1980	600	560	1250	160	162	550	198	1485	1800	210	6500
2355	1000	2180	680	660	1250	160	162	600	198	1470	1800	275	6800
2365	1481	2100	770	760	1290	350	162	600	198	1470	1800	400	8600
3445	1240	2060	660	600	1150	160	167	600	198	1540	1880	265	7500
3455	1550	2430	770	710	1200	160	167	650	198	1550	1880	425	9100
4545	1450	1950	710	650	1350	160	187	650	237	1630	1970	350	9600
4555	1600	2470	820	765	1300	170	187	670	237	1655	1970	400	10800
5666	1545	2050	740	690	1350	400	197	670	251	1725	2080	540	12500
6745	1550	2150	780	735	1350	445	217	710	263	1875	2210	420	14200
6755	1810	2590	920	880	1380	445	217	750	263	1875	2210	680	16600

WLS

Light weight reduction gearbox for propulsion with controllable pitch propeller

- Vertical offset



Size	B1	B2	H1	H2	H3	H4	D1	D2	L1	L2	L6	Oil l	Weight kg
730/1	650	1036	323	310	540	340	92	260	110	795	965	60	575

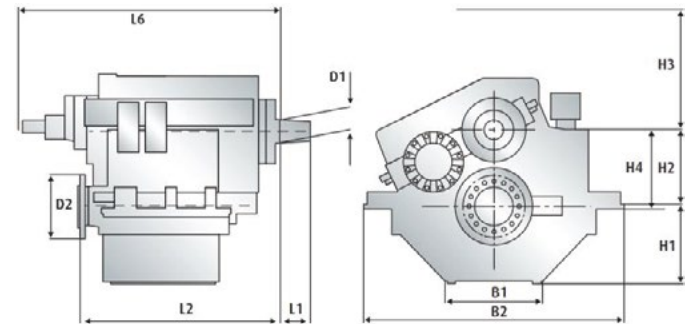
All dimensions, weights and oil quantities are not binding and may differ in custom executions.

Main Dimensions

WLS

Light weight reduction gearbox for propulsion with controllable pitch propeller

- Vertical offset

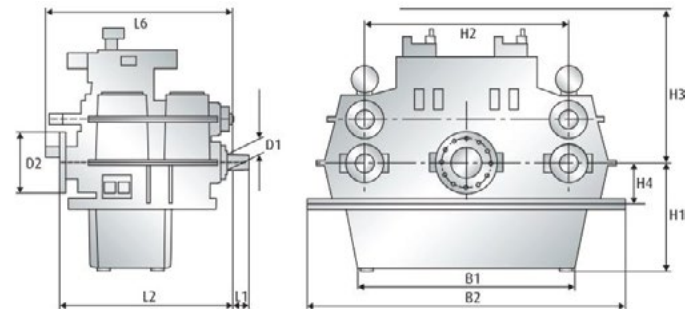


Size	B1	B2	H1	H2	H3	H4	D1	D2	L1	L2	L6	Oil l	Weight kg
930/1	750	1166	348	340	560	385	102	280	120	845	1024	80	750
1540	650	1300	390	390	700	405	107	330	142	952	1375	-	1136
1930	500	1340	400	390	650	405	117	330	154	1032	1300	80	1214
2230	700	1500	500	460	550	475	127	350	162	1180	1480	-	1750
2240	700	1500	500	460	550	475	127	390	162	1180	1480	-	1830

DLG

Twin input/single output reduction gearbox with hydraulically operated clutches

- Horizontal offset
- Quoted power for size orientation only



Size	B1	B2	H1	H2	H3	H4	D1	D2	L1	L2	L6	Oil l	Weight kg	kW/rpm
1113	2040	3050	1000	2000	1255	350	107	620	142	1240	1430	460	9500	3,26
1116	1900	3000	1000	2000	1350	350	107	560	142	1450	1640	600	12000	3,26
1120	1400	2400	815	1600	1200	380	107	650	142	1235	1450	270	8400	3,26
1513	2040	3050	1000	2000	1250	350	117	510	154	1510	1730	460	9500	4,08
1516	2400	3330	750	2250	1800	400	117	600	154	1398	1650	600	13500	4,08
1525	2200	3250	1090	2200	1550	380	117	650	154	1480	1720	575	13800	4,08

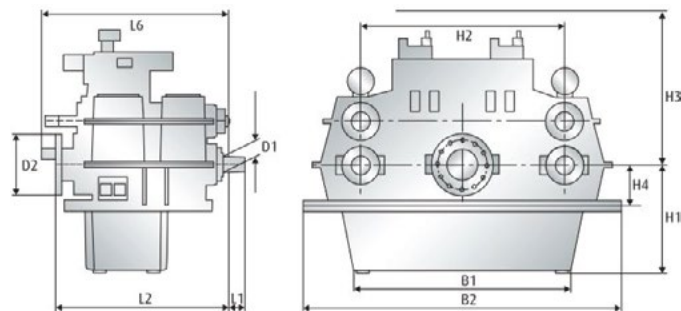
All dimensions, weights and oil quantities are not binding and may differ in custom executions.

Main Dimensions

DLG

Twin input/single output reduction gearbox with hydraulically operated clutches

- Horizontal offset
- Quoted power for size orientation only



Size	B1	B2	H1	H2	H3	H4	D1	D2	L1	L2	L6	Oil l	Weight kg	kW/rpm
1913	2100	2780	1000	2000	1650	400	127	550	162	1440	1750	850	10500	4,40
1916	2880	3400	1150	2500	1800	360	127	600	162	1450	1750	850	15000	4,40
1925	2700	3500	1310	2500	1800	460	127	670	162	1440	1750	850	16000	4,40
1931	2700	3900	1210	2300	1640	540	127	710	162	1735	2000	900	22500	4,40
2316	2000	2800	1030	2300	1580	390	162	600	198	1620	2000	900	19000	4,90
3325	2250	3060	1250	2500	1500	440	167	770	198	1715	1920	850	19000	6,50
3331	2080	3060	1250	2500	1500	440	167	915	198	1765	1900	600	20000	6,50
4431	2700	3200	1260	2500	1750	450	187	710	237	1920	2210	1000	24000	7,60
4447	2800	3900	1300	2500	1730	500	187	820	237	2090	2300	1200	26000	7,60
5520	2800	3580	1250	2500	1800	500	197	650	251	1870	2115	1400	28000	10,00
5539	2100	3460	1315	2800	1700	640	197	705	251	1995	2115	1800	31000	10,00
5547	2800	3580	1250	2500	1800	640	197	800	251	2030	2400	1300	28000	10,00
5573	3300	4180	1410	2800	2050	800	197	860	251	2300	2400	1500	32000	10,00
6673	2900	4250	1400	2800	1850	675	217	860	263	2540	2350	1800	37000	12,00
7747	3300	4300	1250	2800	1770	550	217	737	306	2255	2560	1850	31000	15,74
7773	3200	4300	1250	2800	1800	550	217	750	306	2255	2560	1850	31500	15,74
8890	3250	4100	1425	2800	1750	500	247	900	321	2370	2700	1500	42000	20,00
9990	3000	5220	1550	3400	2050	750	247	900	321	2800	3000	2500	51000	27,00
110131	3000	5450	1550	3400	2050	750	315	950	405	2435	3600	1500	61000	44,00

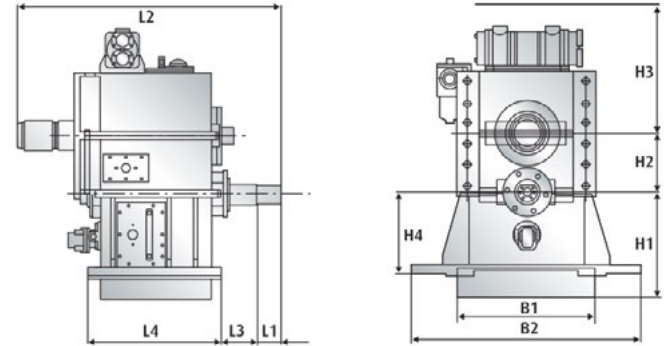
Main Dimensions

RDG

Reduction gearbox without clutch for dredging pump

- Vertical offset

table continued

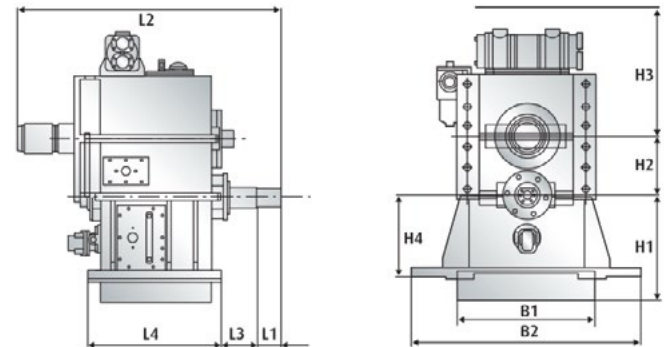


Size	B1	B2	B3	H1	H2	H3	H4	D1	D2	L1	L2	L3	L4	Oil l	Weight kg
355	700	1060	-	410	355	600	150	-	-	135	975	7	450	55	1300
400	900	1300	-	460	400	600	150	-	-	107	1022	11	570	60	2000
500	1000	1500	-	510	500	600	160	-	-	107	1062	51	680	60	2450

RDGL

Reduction gearbox with clutch for dredging pump

- Vertical offset



Size	B1	B2	B3	H1	H2	H3	H4	D1	D2	L1	L2	L3	L4	Oil l	Weight kg
200	400	720	-	360	200	440	230	-	-	90	970	168	480	55	550
250	600	1000	-	460	250	550	350	-	-	105	1177	160	600	65	1000
320	800	1150	-	560	320	830	350	-	-	125	1435	173	720	80	1650
355	700	1060	-	410	355	650	150	-	-	135	1335	347	450	85	1800
600	1200	1800	-	660	600	800	200	-	-	175	1625	401	600	140	4500
800	1610	2200	-	740	800	850	160	-	-	162	1462	300	850	200	7000

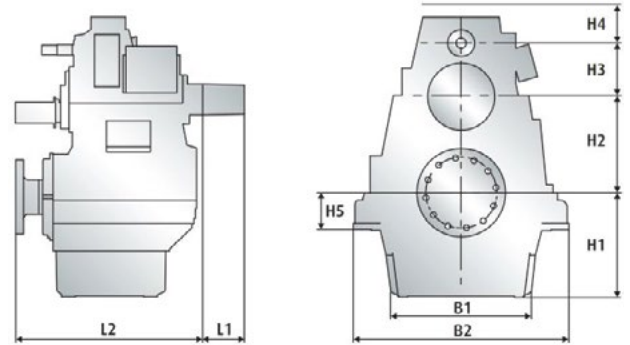
All dimensions, weights and oil quantities are not binding and may differ in custom executions.

Main Dimensions

SVA

Reduction gearbox with slide bearings for propulsion with controllable pitch propeller

- Vertical offset



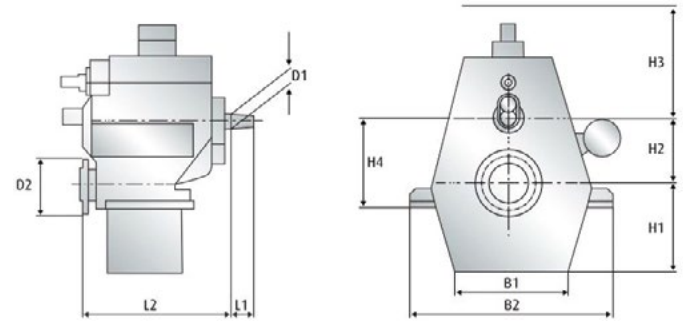
Size	B1	B2	H1	H2	H3	H4	D1	D2	L1	L2	Oil l	Weight kg
630	1000	1810	790	630	455	550	-	-	-	1550	360	7700
750	1198	1870	870	750	500	550	-	-	-	1663	330	8900
800	1198	1870	870	800	500	550	-	-	-	1850	350	10500
850	1410	2240	1020	850	500	620	-	-	-	1977	800	16000
900	1410	2240	1020	900	570	750	-	-	-	2066	800	17000
950	1730	2340	1060	950	570	600	-	-	-	2250	700	17500
1000	1630	2440	1100	1000	570	650	-	-	-	2180	700	19500
1050	1730	2550	1100	1050	570	650	-	-	-	2180	580	21000
1120	1730	2560	1150	1120	650	730	-	-	-	2300	850	22500
1200	2112	3100	1245	1200	650	750	-	-	-	2260	1100	31000
1250	1725	3100	1400	1250	650	490	-	-	-	2504	1650	34000

Main Dimensions

VA

Reduction gearbox without clutch for propulsion with controllable pitch propeller

- Vertical offset

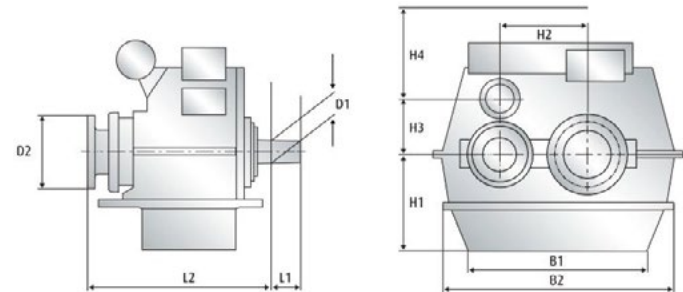


Size	B1	B2	H1	H2	H3	H4	D1	D2	L1	L2	Oil l	Weight kg
2451	1090	1650	660	600	890	820	157	600	183	1487	150	5100
2741	800	1650	720	560	840	760	187	600	237	1407	200	5500
3451	1100	2000	860	720	860	940	187	650	237	1450	300	8700
3462	1720	2150	900	820	1080	1040	187	650	237	1666	360	10200
3541	1000	1780	760	630	840	850	197	650	251	1485	230	7600
4851	1230	2250	900	820	970	1040	197	750	263	1566	360	12000
4855	1220	2000	880	850	970	1130	217	750	306	1626	300	12500

VA

Reduction gearbox without clutch for propulsion with controllable pitch propeller

- Horizontal offset



Size	B1	B2	H1	H2	H3	H4	D1	D2	L1	L2	Oil l	Weight kg
2451	1535	1935	650	560	430	650	220	770	250	1700	350	5100
3451	1470	1890	810	720	455	940	187	650	237	1747	400	8700
3541	1340	1850	760	630	472	828	220	650	251	1600	400	7600

All dimensions, weights and oil quantities are not binding and may differ in custom executions.

Main Dimensions

VA

Reduction gearbox without clutch for propulsion with controllable pitch propeller

- Horizontal offset

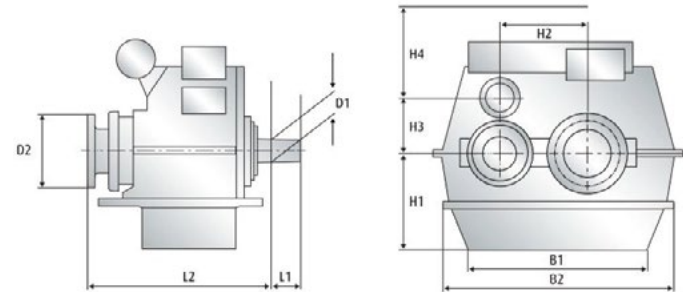


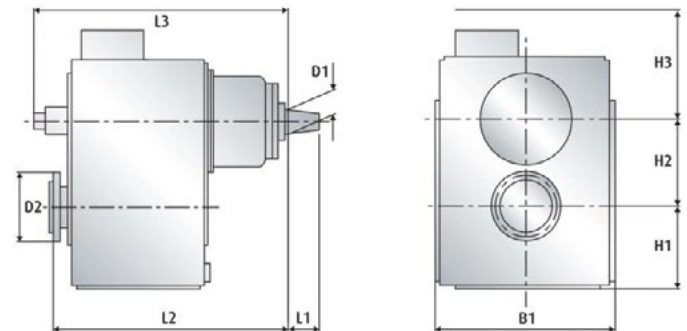
table continued

Size	B1	B2	H1	H2	H3	H4	D1	D2	L1	L2	Oil l	Weight kg
4855	2050	2460	880	900	500	1300	190	690	266	1934	650	12500

VLJ

Light weight reduction gear for water jet propulsion

- Vertical offset



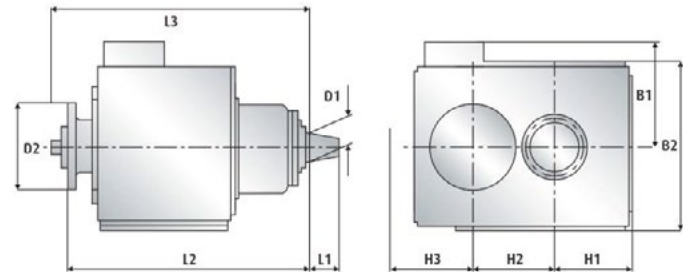
Size	B1	B2	H1	H2	H3	H4	D1	D2	L1	L2	Oil l	Weight kg
430	540	-	270	235	185	-	75	220	97	686	28	360
730/1	640	-	325	310	480	-	92	260	110	795	40	560
930/1	720	-	350	340	500	-	102	280	120	870	50	740
1930	800	-	400	390	700	-	117	330	154	1032	100	1150
2230	920	-	460	460	600	-	127	390	162	1150	150	1600

Main Dimensions

VLJ

Light weight reduction gear for water jet propulsion

- Horizontal offset

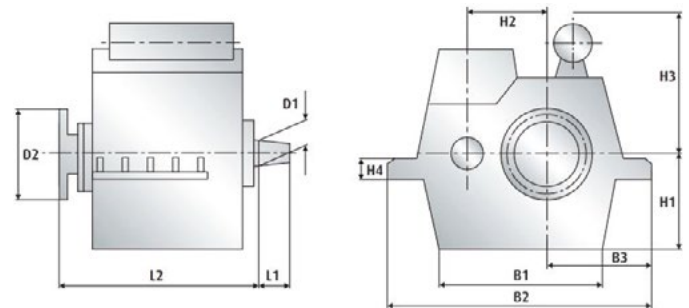


Size	B1	B2	H1	H2	H3	H4	D1	D2	L1	L2	Oil l	Weight kg
430	540	550	270	235	185	-	75	220	97	686	28	360
730/1	600	640	325	310	220	-	92	260	110	795	40	560
930/1	680	720	350	340	240	-	102	280	120	870	50	740
1930	800	830	400	390	280	-	117	330	154	1032	100	1150
2230	760	920	460	460	300	-	127	390	162	1150	150	1600

VLJ

Light weight reduction gear for water jet propulsion

- Horizontal offset



Size	B1	B2	H1	H2	H3	H4	D1	D2	L1	L2	Oil l	Weight kg
4431	1050	1750	550	560	800	180	187	550	237	1600	200	3500
6831	1170	1690	565	600	900	180	187	600	237	1500	230	3600
6841	1005	1945	640	650	1000	55	187	650	237	1635	160	4500
7531	1310	1850	600	630	990	180	197	650	251	1700	180	4300
7541	1320	1975	640	665	1000	60	197	650	251	1700	180	4600

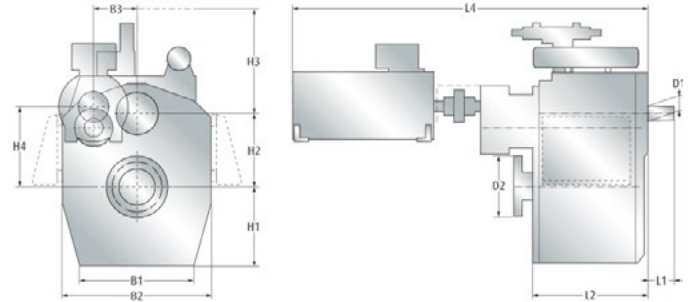
All dimensions, weights and oil quantities are not binding and may differ in custom executions.

Main Dimensions

Hybrid System WAF

Reverse-reduction gearbox for propulsion with fixed pitch propeller

- Vertical offset



1) standard gearbox weight 2) weight with E-motor

Size	Motor ekW	B1	B2	B3	D1	D2	D3	H1	H2	H3	H4	H5	H6	H7
								L1	L2	L3	L4	kg 1)		kg 2)
344	HS06 60	570	720	201	60	285	-	265	250	590	249	-	-	-
	80							644	-	1492	-	1160		
344	HS10 100	570	720	201	60	285	-	265	250	590	249	-	-	-
	80							644	-	1712	-	1280		
364	HS06 60	580	750	213	60	325	-	380	345	590	372	-	-	-
	80							667	-	1509	-	1310		
364	HS10 100	580	750	213	60	325	-	380	345	590	372	-	-	-
	80							667	-	1729	-	1430		
374	HS06 60	800	930	216	60	325	-	460	410	590	448	-	-	-
	80							667	-	1509	-	1570		
374	HS10 100	800	930	216	60	325	-	460	410	590	448	-	-	-
	80							667	-	1729	-	1690		
444	HS06 60	493	804	208	75	300	-	285	270	670	272	-	-	-
	97							721	-	1630	-	1240		
444	HS10 100	493	804	208	75	300	-	285	270	670	272	-	-	-
	97							721	-	1850	-	1360		
464	HS06 60	575	800	219	75	325	-	400	375	670	405	-	-	-
	97							723	-	1630	-	1435		
464	HS10 100	575	800	219	75	325	-	400	375	670	405	-	-	-
	97							723	-	1850	-	1550		

Main Dimensions

Hybrid System WAF

Reverse-reduction gearbox for propulsion with fixed pitch propeller

- Vertical offset

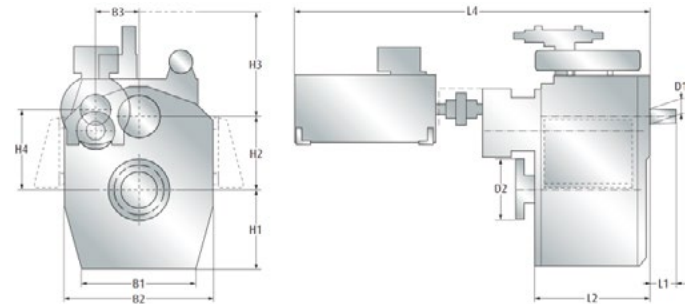


table continued

1) standard gearbox weight 2) weight with E-motor

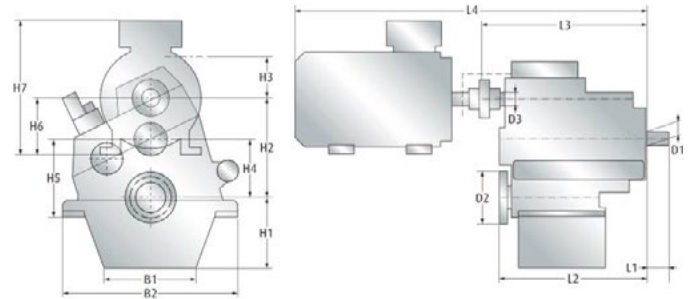
Size	Motor ekW	B1	B2	B3	D1	D2	D3	H1	H2	H3	H4	H5	H6	H7
								L1	L2	L3	L4		kg 1)	kg 2)
474	HS06 60	760	1040	223	75	350	-	510	460	580	503	-	-	-
								97	745	-	1630	-	-	1910
474	HS10 100	760	1040	223	75	350	-	510	460	580	503	-	-	-
								97	745	-	1850	-	-	2030
543	HS06 60	535	840	229	75	325	-	380	310	735	309	-	-	-
								97	776	-	1748	-	-	1560
543	HS10 100	535	840	229	75	325	-	380	310	735	309	-	-	-
								97	776	-	1968	-	-	1680
563	HS06 60	570	920	238	75	350	-	475	410	700	434	-	-	-
								97	822	-	1748	-	-	1850
563	HS10 100	570	920	238	75	350	-	475	410	700	434	-	-	-
								97	822	-	1968	-	-	1970
573	HS06 60	690	1080	242	75	375	-	575	505	590	543	-	-	-
								97	836	-	1748	-	-	2350
573	HS10 100	690	1080	242	75	375	-	575	505	590	543	-	-	-
								97	836	-	1968	-	-	2470

Main Dimensions

Hybrid System WAF

Reverse-reduction gearbox for propulsion with fixed pitch propeller

- Vertical offset



1) standard gearbox weight 2) weight with E-motor

Size	Motor ekW	B1	B2	B3	D1	D2	D3	H1	H2	H3	H4	H5	H6	H7
								L1	L2	L3	L4	kg 1)		kg 2)
665	HS20	430	1160	-	85	420	80	490	680	250	430	560	315	765
	200							101	979	1085	2390	2400	3600	
665	HS31	430	1160	-	85	420	80	490	680	250	430	560	315	800
	315							101	979	1085	2555	2400	4050	
665	HS40	430	1160	-	85	420	80	490	680	250	430	560	355	990
	400							101	979	1085	2680	2400	4500	
675	HS20	650	1480	-	85	420	80	610	800	250	550	680	315	765
	200							101	990	1085	2390	3000	4200	
675	HS31	650	1480	-	85	420	80	610	800	250	550	680	315	800
	315							101	990	1085	2555	3000	4650	
675	HS40	650	1480	-	85	420	80	610	800	250	550	680	355	990
	400							101	990	1085	2680	3000	5100	
743	HS20	610	1160	-	92	350	100	490	680	300	380	510	315	765
	200							107	1046	1186	2490	2300	3500	
743	HS31	610	1160	-	92	350	100	490	680	300	380	510	315	800
	315							107	1046	1186	2655	2300	3950	
743	HS40	610	1160	-	92	350	100	490	680	300	380	510	355	990
	400							107	1046	1186	2785	2300	4400	
743	HS50	610	1160	-	92	350	100	490	680	300	380	510	355	940
	500							107	1046	1186	2895	2300	4870	

Main Dimensions

Hybrid System WAF

Reverse-reduction gearbox for propulsion with fixed pitch propeller

- Vertical offset

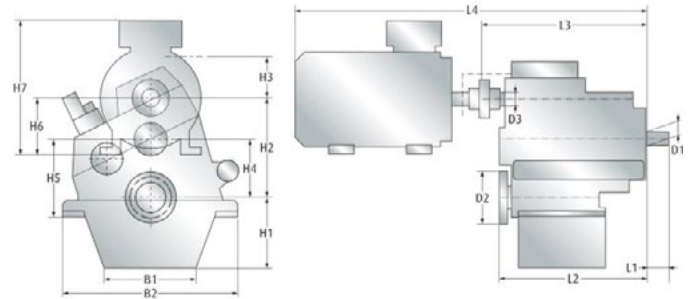


table continued

1) standard gearbox weight 2) weight with E-motor

Size	Motor ekW	B1	B2	B3	D1	D2	D3	H1	H2	H3	H4	H5	H6	H7
								L1	L2	L3	L4	kg 1)		kg 2)
743	HS63	610	1160	-	92	350	100	490	680	300	380	510	400	970
	107							1046	1186	3125	2300	5610		
763	HS20	680	1300	-	92	375	100	530	790	300	490	630	315	765
	107							1047	1187	2490	2800	4000		
763	HS31	680	1300	-	92	375	100	530	790	300	490	630	315	800
	107							1047	1187	2655	2800	4450		
763	HS40	680	1300	-	92	375	100	530	790	300	490	630	355	990
	107							1047	1187	2785	2800	4900		
763	HS50	680	1300	-	92	375	100	530	790	300	490	630	355	940
	107							1047	1187	2893	2800	5370		
763	HS63	680	1300	-	92	375	100	530	790	300	490	630	400	970
	107							1047	1187	3125	2800	6110		
773	HS20	790	1670	-	92	420	100	680	920	300	620	760	315	765
	107							1064	1204	2510	3700	4900		
773	HS31	790	1670	-	92	420	100	680	920	300	620	760	315	800
	107							1064	1204	2670	3700	5350		
773	HS40	790	1670	-	92	420	100	680	920	300	620	760	355	990
	107							1064	1204	2800	3700	5800		
773	HS50	790	1670	-	92	420	100	680	920	300	620	760	355	940
	107							1064	1204	2910	3700	6270		

Main Dimensions

Hybrid System WAF

Reverse-reduction gearbox for propulsion with fixed pitch propeller

- Vertical offset

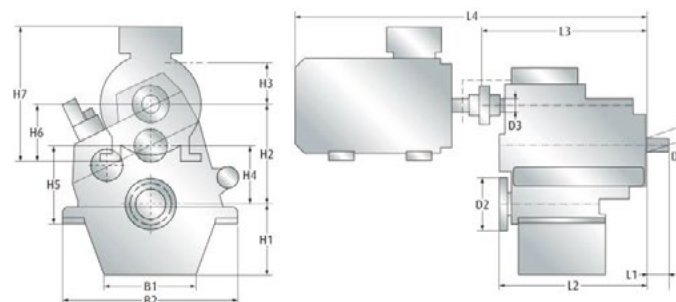


table continued

1) standard gearbox weight 2) weight with E-motor

Size	Motor ekW	B1	B2	B3	D1	D2	D3	H1	H2	H3	H4	H5	H6	H7
								L1	L2	L3	L4	kg 1)		kg 2)
773	HS63	790	1670	-	92	420	100	680	920	300	620	760	400	970
	630							107	1064	1204	3140	3700	7010	
843	HS20	680	1300	-	107	375	100	530	725	350	425	565	315	765
	200							142	1090	1224	2530	2900	4100	
843	HS31	680	1300	-	107	375	100	530	725	350	425	565	315	800
	315							142	1090	1224	2690	2900	4550	
843	HS40	680	1300	-	107	375	100	530	725	350	425	565	355	990
	400							142	1090	1224	2820	2900	5000	
843	HS50	680	1300	-	107	375	100	530	725	350	425	565	355	940
	500							142	1090	1224	2930	2900	5470	
843	HS63	680	1300	-	107	375	100	530	725	350	425	565	400	970
	630							142	1090	1224	3160	2900	6210	
863	HS20	705	1400	-	107	420	100	590	840	350	540	690	315	765
	200							142	1120	1254	2560	3600	4800	
863	HS31	705	1400	-	107	420	100	590	840	350	540	690	315	800
	315							142	1120	1254	2720	3600	5250	
863	HS40	705	1400	-	107	420	100	590	840	350	540	690	355	990
	400							142	1120	1254	2850	3600	5700	
863	HS50	705	1400	-	107	420	100	590	840	350	540	690	355	940
	500							142	1120	1254	2960	3600	6170	

Main Dimensions

Hybrid System WAF

Reverse-reduction gearbox for propulsion with fixed pitch propeller

- Vertical offset

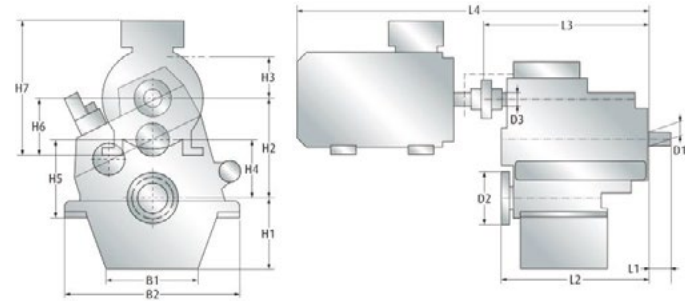


table continued

1) standard gearbox weight 2) weight with E-motor

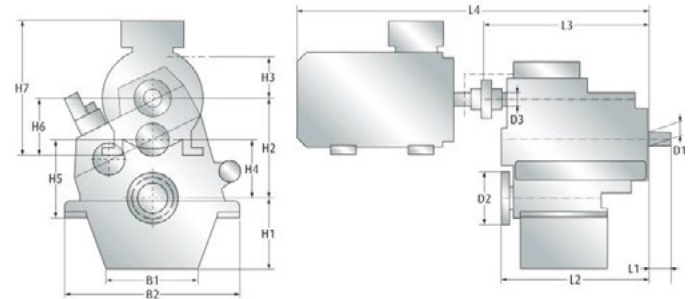
Size	Motor ekW	B1	B2	B3	D1	D2	D3	H1	H2	H3	H4	H5	H6	H7
								L1	L2	L3	L4	kg 1)		kg 2)
863	HS63	705	1400	-	107	420	100	590	840	350	540	690	400	970
	142							1120	1254	3190	3600	6910		
873	HS20	860	1650	-	107	480	100	750	970	350	670	710	315	765
	142							1150	1284	2590	4600	5800		
873	HS31	860	1650	-	107	480	100	750	970	350	670	710	315	800
	142							1150	1284	2750	4600	6250		
873	HS40	860	1650	-	107	480	100	750	970	350	670	710	355	990
	142							1150	1284	2880	4600	6700		
873	HS50	860	1650	-	107	480	100	750	970	350	670	710	355	940
	142							1150	1284	2990	4600	7170		
873	HS63	860	1650	-	107	480	100	750	970	350	670	710	400	970
	142							1150	1284	3220	4600	7910		

Main Dimensions

Hybrid System WVS

Light weight reverse-reduction gearbox for propulsion with fixed pitch propeller

- Vertical offset



1) standard gearbox weight 2) weight with E-motor

Size	Motor ekW	B1	B2	B3	D1	D2	D3	H1	H2	H3	H4	H5	H6	H7
								L1	L2	L3	L4	kg 1)		kg 2)
730	HS20	650	1036	-	92	260	80	373	560	250	310	340	315	765
	200							110	893	1075	2380	1000	2200	
730	HS31	650	1036	-	92	260	80	373	560	250	310	340	315	800
	315							110	893	1075	2545	1000	2650	
730	HS40	650	1036	-	92	260	80	373	560	250	310	340	355	990
	400							110	893	1075	2670	1000	3100	
930	HS20	750	1166	-	102	280	100	398	620	250	340	385	315	765
	200							120	961	1152	2455	1300	2500	
930	HS31	750	1166	-	102	280	100	398	620	250	340	385	315	800
	315							120	961	1152	2620	1300	2950	
930	HS40	750	1166	-	102	280	100	398	620	250	340	385	355	990
	400							120	961	1152	2750	1300	3400	
930	HS50	750	1166	-	102	280	100	398	620	250	340	385	355	940
	500							120	961	1152	2860	1300	3870	
930	HS63	750	1166	-	102	280	100	398	620	250	340	385	400	970
	630							120	961	1152	3090	1300	4610	
1540	HS20	650	1300	-	107	330	100	440	690	300	390	405	315	765
	200							142	1065	1179	2485	1800	3000	
1540	HS31	650	1300	-	107	330	100	440	690	300	390	405	315	800
	315							142	1065	1179	2645	1800	3450	

Main Dimensions

Hybrid System WVS

Light weight reverse-reduction gearbox for propulsion with fixed pitch propeller

- Vertical offset

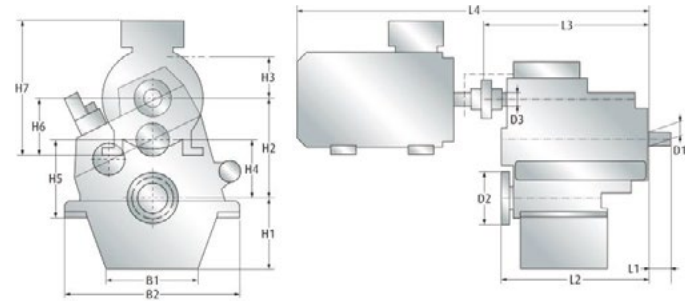


table continued

1) standard gearbox weight 2) weight with E-motor

Size	Motor ekW	B1	B2	B3	D1	D2	D3	H1	H2	H3	H4	H5	H6	H7
								L1	L2	L3	L4	kg 1)		kg 2)
1540	HS40	650	1300	-	107	330	100	440	690	300	390	405	355	990
	142							1065	1179	2775	1800	3900		
1540	HS50	650	1300	-	107	330	100	440	690	300	390	405	355	940
	142							1065	1179	2885	1800	4370		
1540	HS63	650	1300	-	107	330	100	440	690	300	390	405	400	970
	142							1065	1179	3115	1800	5110		



Main Dimensions

Hybrid ready gearboxes

- Hybrid ready gearboxes based on standard gearboxes WAF, WVS
- For available standard types and sizes see table:

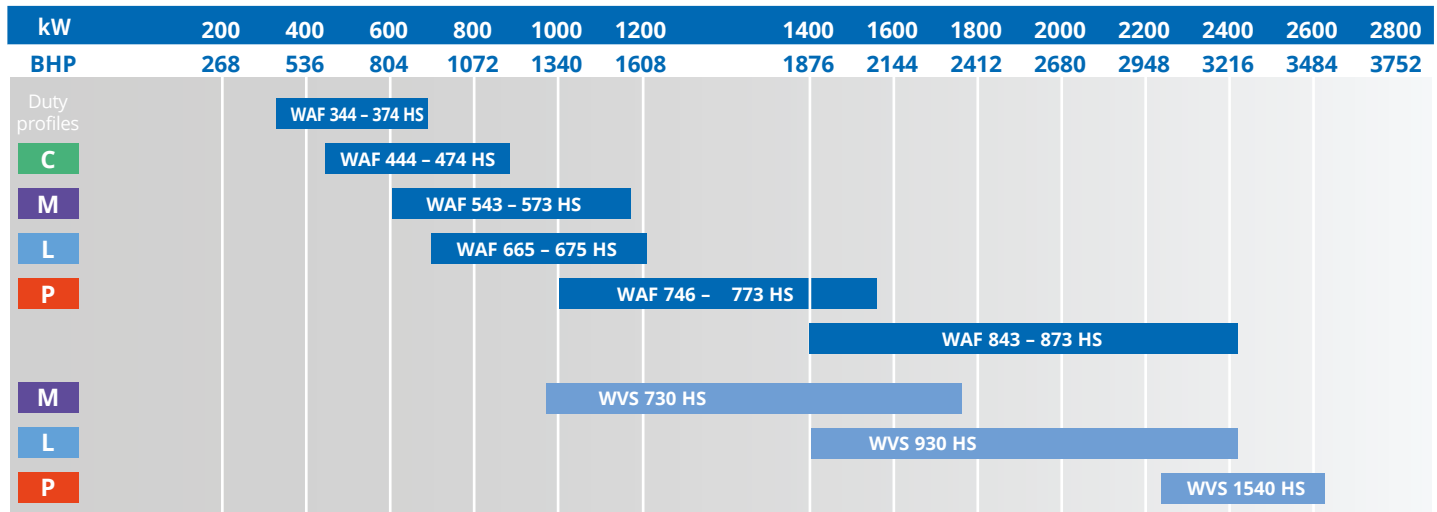
	Gearbox type*	
	WAF/LAF	WVS
Gearbox Size	344 – 573	730/1
	665 – 1143	930/1
	-	1540

- Main ratio based on basic gearbox
- For Power/speed ratios please refer to basic gearbox
- Additional sizes/types on request
- Related electric motor and frequency converter as a system available on request
- Electrical power >630 ekW available on request
- For PTI or PTI + Boost or PTI/PTO or PTI/PTO + Boost

* WAF = cast iron
WVS = aluminium

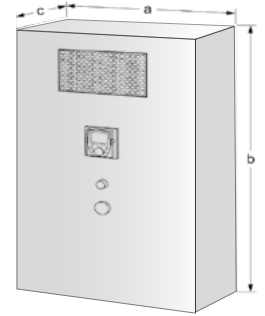
Hybrid Systems

- Hybrid system consists of gearbox, electric motor, frequency converter
- System is compatible with various electric grids and configurable for different applications
- PTI – PTO – PTH – Boost mode separately and combinations thereof
- Electric power available from 60 to 630 kW



Main Dimensions

Frequency Converter



Hybrid System		Converter 1 (PTI/Booster)				Converter 2 (PTO/PTI/Booster)			
Type	Motor ekW	a mm	b mm	c mm	Weight kg	a mm	b mm	c mm	Weight kg
HS06	60	555	1000	325	100	555	1800	600	180
HS10	100	600	1600	500	190	600	1800	600	320
HS20	200	600	1800	500	260	600	1800	600	470
HS31	315	1000	2000	600	420	1000	2050	600	840
HS40	400	1200	2050	600	800	1200	2050	600	1400
HS50	500	1200	2050	600	830	1200	2050	600	1500
HS63	630	1600	2050	600	1100	1600	2050	600	1750

Two speed gearboxes

- Two speed gearboxes based on standard gearboxes WAF, WVS, SVAL
- For available standard types and sizes see table:

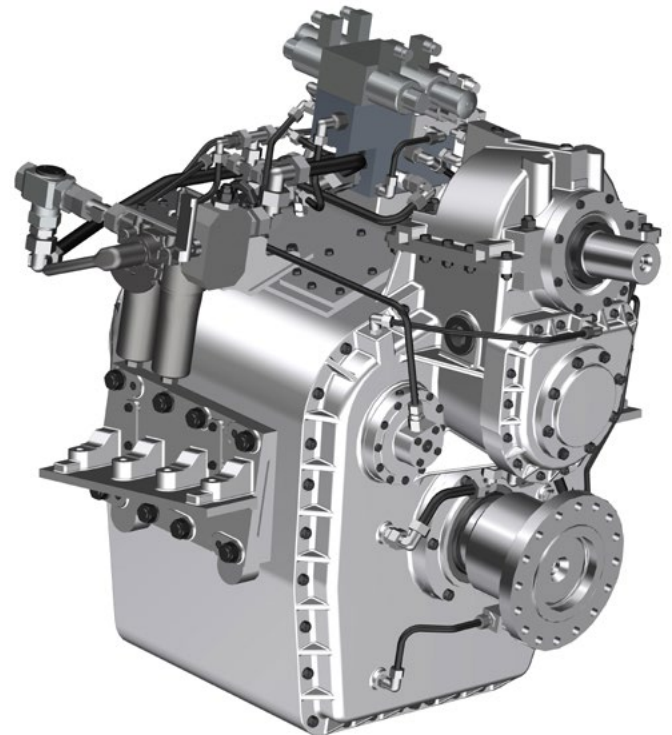
	Gearbox type			
	ZWAF	ZWVS	ZSVAL	ZWVSA U
Gearbox Size	264	440	865-22	440
	364	730/1	950-77	
	563	930/1	1120-99	
	665			
	743			
	763			
	843			
	863			

- Main ratio based on basic gearbox
- Difference between main gear and 2nd gear: max. 15%
- Dimensioning of second gear acc. to customer/ on request
- For Power/speed ratios please refer to basic gearbox
- Additional sizes/types on request

ZWVSA 440 U

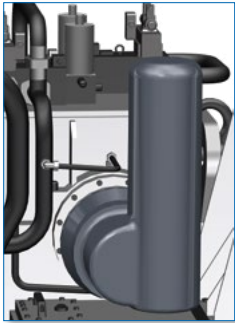
Technical Data:

- Offset: U-drive
- Main gearbox ratio: 3.469 (other ratios available on request)
- Gearbox ratio 2. gear: 3.083
- Sense of rotation input side: counter-clockwise
- Sense of rotation output: clockwise
- Control valve: electrical
- Engine type: admissible engine rating range (550 to 1,300 kW)
- Admissible power/speed ratio: 0.54 kW/rpm
- Gearbox foundation: rigid/resilient on request



A LAF Gear with Special Features* (Example)

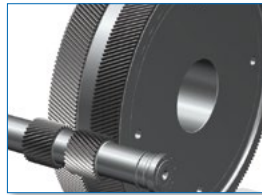
*Available on request for other gears



Turn Drive

The turn drive allows turning the propeller shaft even when the main engine is standing still, e.g. for maintenance work.

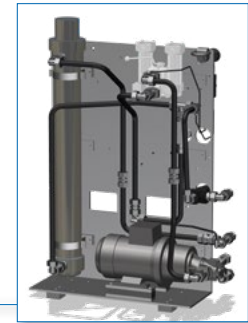
- Operation with a control panel and with a remote control
- Current status can be monitored and visualised with the LOP



Double Helical Tothing



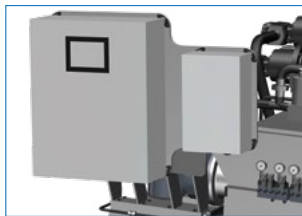
Resilient Mounting of Gearbox and Accessories



Oil Pre-Heater

The oil pre-heater heats up the oil to a temperature of > 25 °C.

- Manual and automatic operation are both possible
- Current status can be monitored and visualised with the LOP

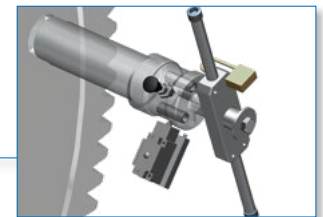
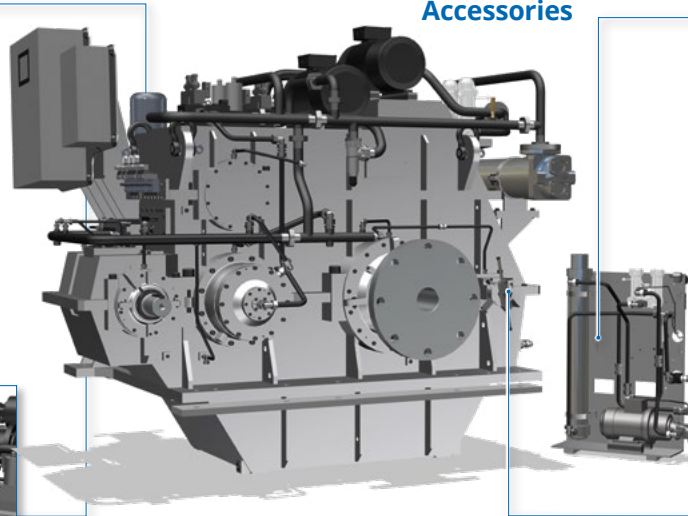


Local Operating Panel (LOP)

The LOP can be used for various purposes including:

- Control of the clutch(es)
- Control of electric oil pumps
- Monitoring alarms, operating conditions, and values such as pressure, speed etc.
- Operation of special equipment such as turn drive, shaft locking device, and oil pre-heater

The LOP control cabinet comes with a TFT display with a customised menu structure.



Shaft Locking Device

With the shaft locking device the propeller shaft can be mechanically locked and therefore be secured in its position.

- Spring-loaded
- Easy-to-operate
- Current status can be monitored and visualised with the LOP

De-Humidifier

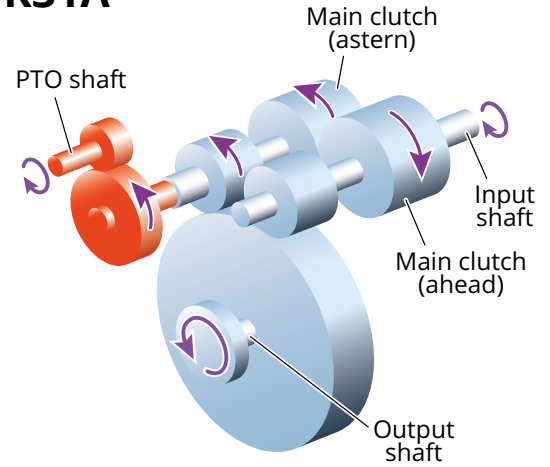
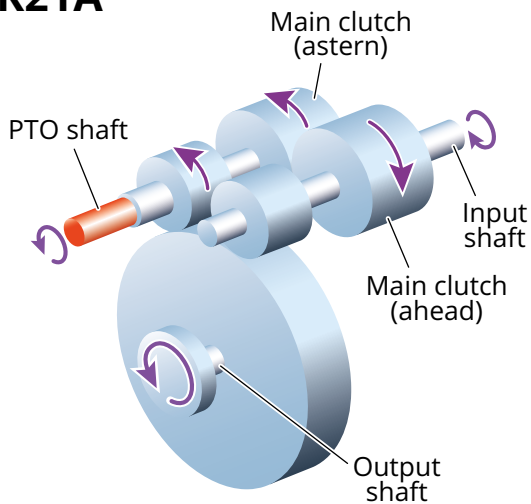
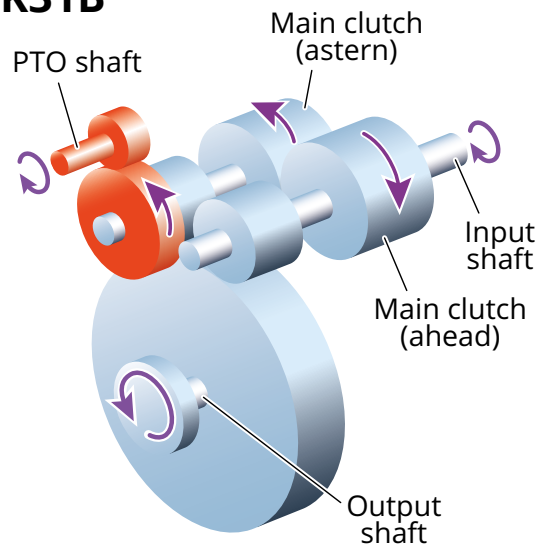
Drying of incoming air

- Oil level in gear decrease
- Moist air will be sucked in
- Valves opens at 5 mbar
- Incoming air will be dried
- Silica gel changes color from orange to green
- Incoming air will be cleaned

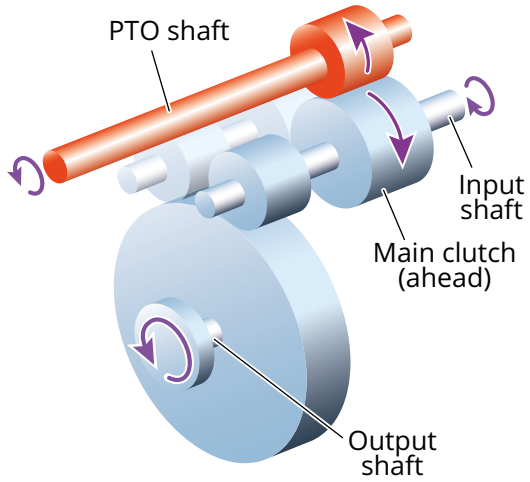
Functional matrix

PTO Type	Primary arrangement	Secondary arrangement	Controllable	PTO speed identical to engine speed	PTO speed different to engine speed (ratio $i \neq 1$)
K21 A	X	-	-	X	-
K31 A	X	-	-	-	X
K31 B	-	X	-	-	X
K41 A	X	-	-	-	X
K41 B	-	X	-	-	X
K51 A	X	-	X	-	X
K51 B	-	X	X	-	X

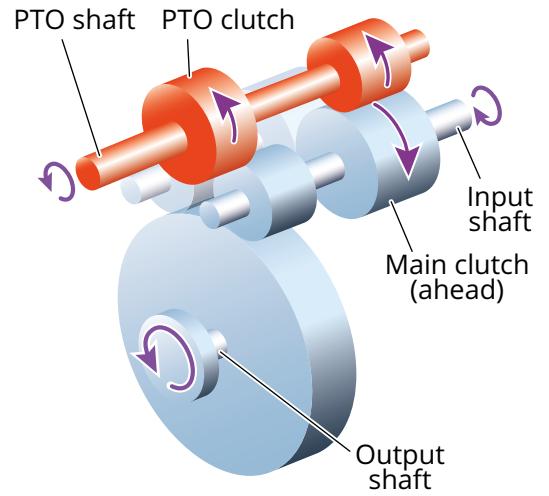
All PTOs of bidirectional type (CCW-CW).
Further PTO arrangements on request.

K31A

K21A

K31B


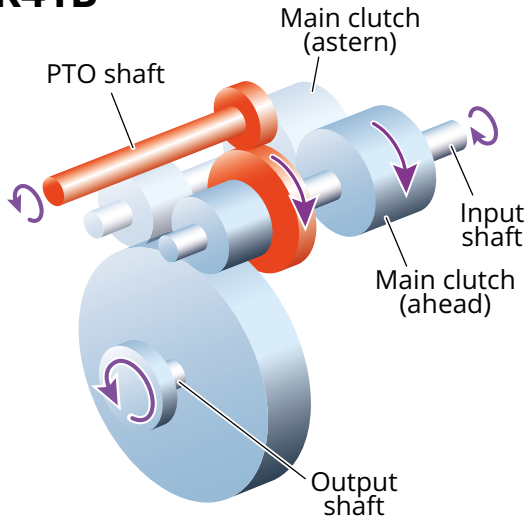
K41A



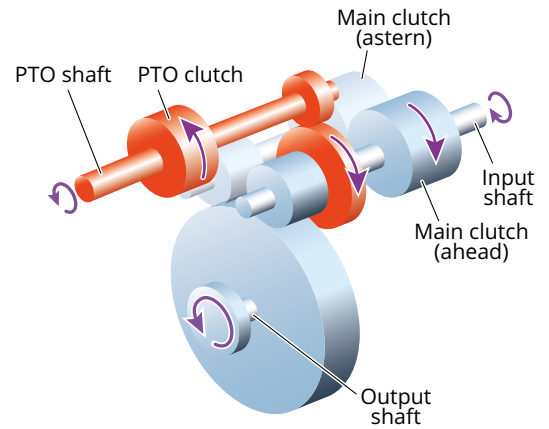
K51A



K41B



K51B



Technical Availability

- For standard PTO: refer to pages 20 – 25
- Primary PTO „A“: Aux drive turns, even if propeller not engaged
- Secondary PTO „B“: Aux drive turns only if propeller engaged
- Additional PTO-, PTI-, PTH functions on request
- Two speed PTI/PTH on request
- Additional pump drives on request

PTO Type	WAF 164	WAF 244 – 474	WF 350 – 580	WAF 542 – 573	WAF/LAF 665 – 675	WAF/LAF 743 – 1973		WAF/LAF 2346 – 7770	WVS 234 – 2240	VLJ	DLG	SVA	SVAL	VA
K21 A	X	X	X	X	X	X		-	X	-	-	-	-	-
K31 A	-	-	X	X	X	X		-	X	X	-	-	-	-
K31 B	-	X	X	X	X	-		-	-	-	-	-	-	-
K41 A	-	-	-	-	-	X		X	-	-	X	-	X	-
K41 B	-	-	-	-	X	-		X	-	-	X	X	X	X
K51 A	-	-	-	-	-	X		X	-	-	X	-	X	-
K51 B	-	-	-	-	X	-		X	-	-	X	X	X	X



REINTJES GmbH
Eugen-Reintjes-Straße 7
31785 Hameln
Germany
Phone +49 5151 104-0
E-mail info@reintjes-gears.de
www.reintjes-gears.com

Please scan
QR code to locate us



Service Hotline: + 49 5151 104-104